

changes possible



energy reducing baseliner

DN 1000 with outlet elbow

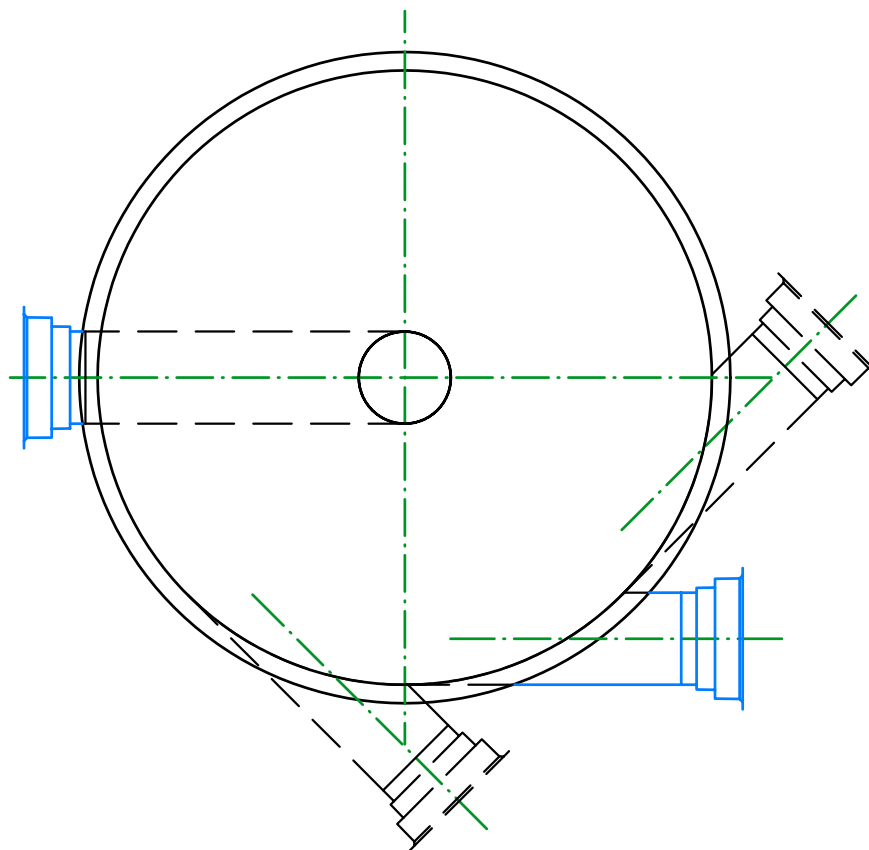
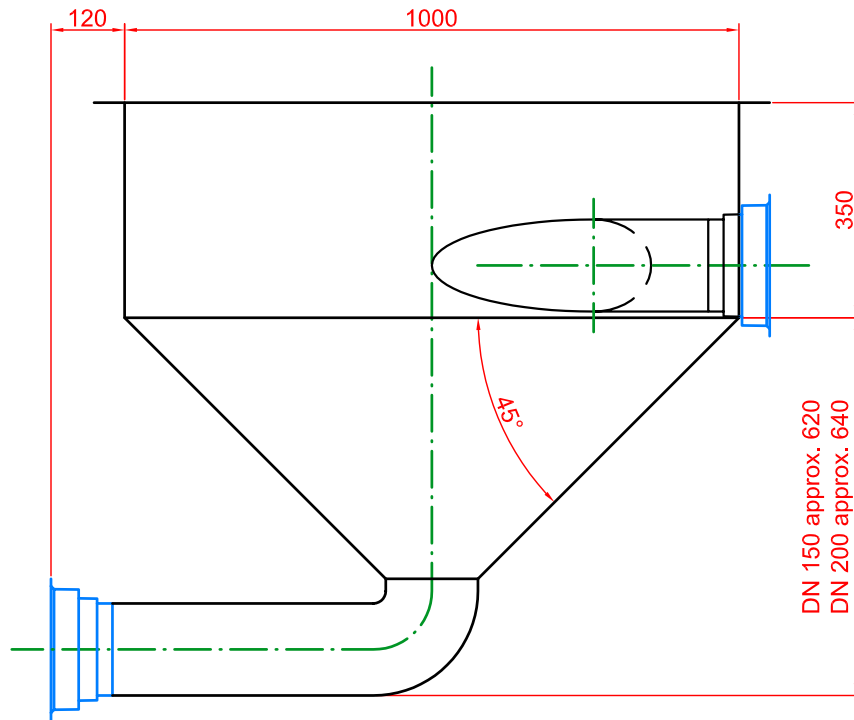
anticlockwise

tangential inlet

Downloads

<http://www.predl.eu>

file format:
Acrobat Reader 5.0 oder höher



changes possible



energy reducing baseliner

DN 1000 with outlet elbow

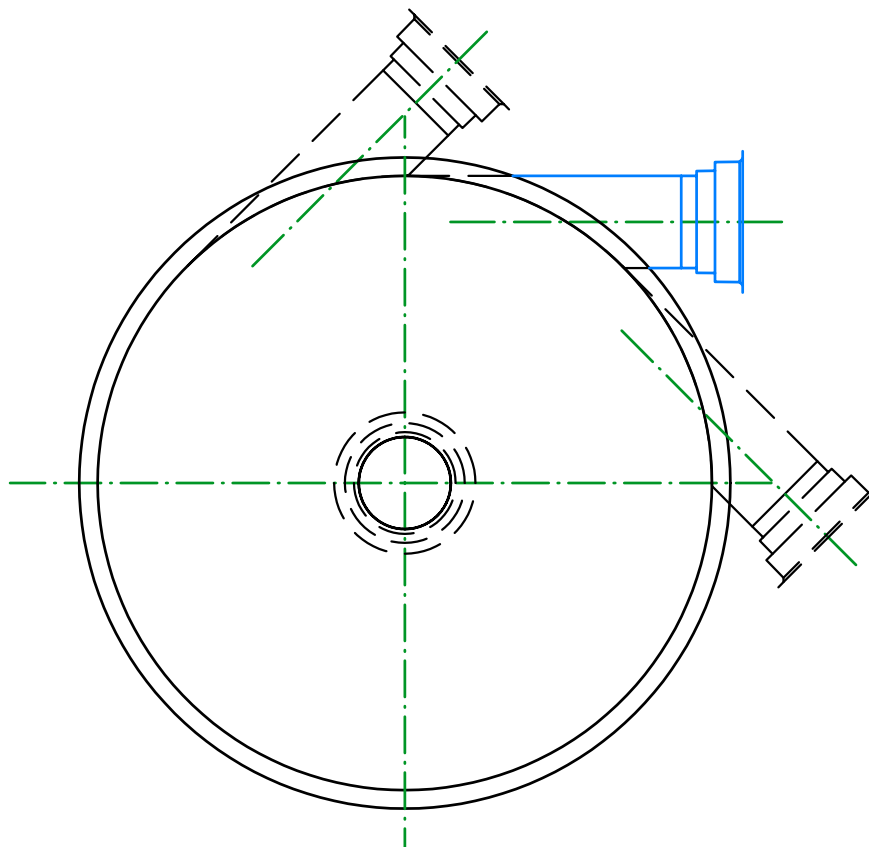
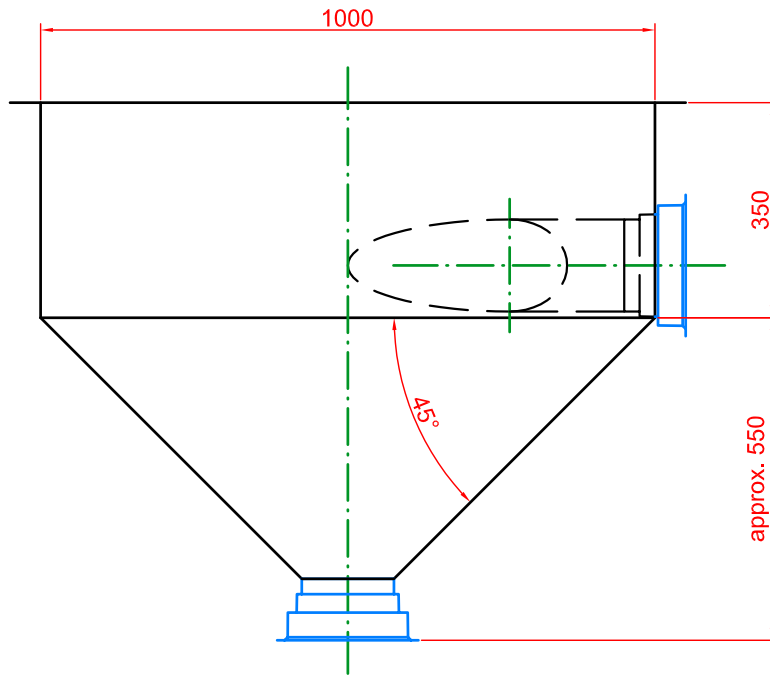
clockwise

tangential inlet

Downloads

<http://www.predl.eu>

file format:
Acrobat Reader 5.0 oder höher



changes possible



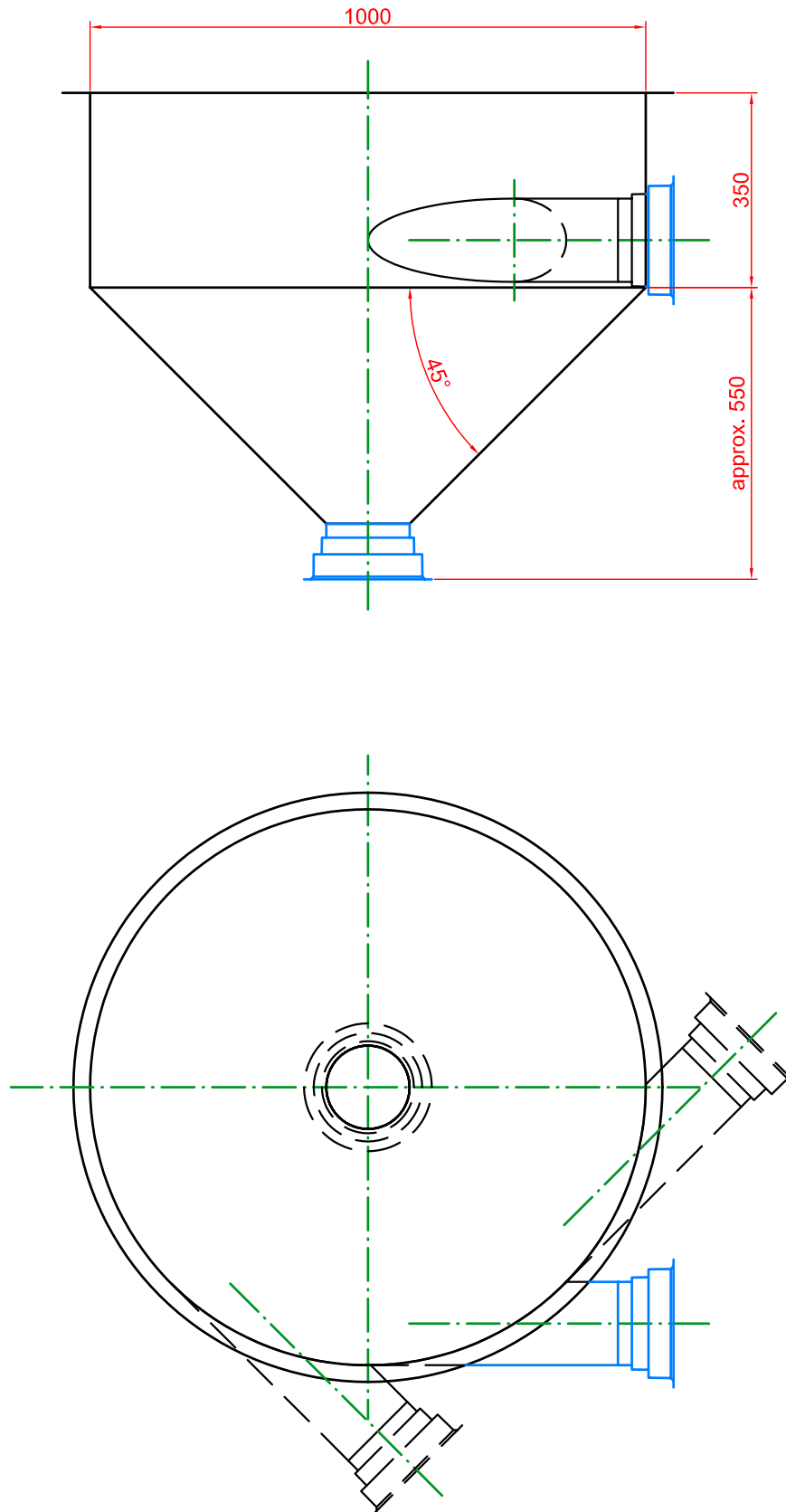
energy reducing baseliner

**DN 1000
anticlockwise
tangential inlet**

Downloads

<http://www.predl.eu>

file format:
Acrobat Reader 5.0 oder höher



changes possible



energy reducing baseliner

DN 1000
clockwise
tangential inlet

Downloads

<http://www.predl.eu>

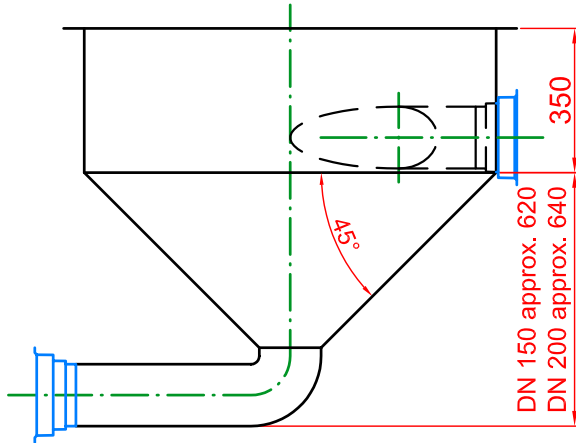
file format:
Acrobat Reader 5.0 oder höher

Order sheet

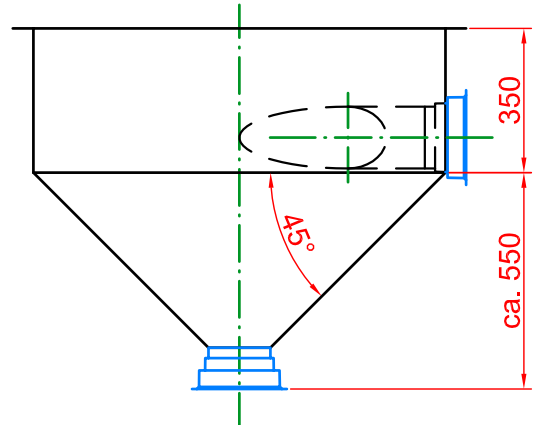
concrete plant
building company
building site.....

date
base liner manufacturer
others	

cost option with outlet elbow

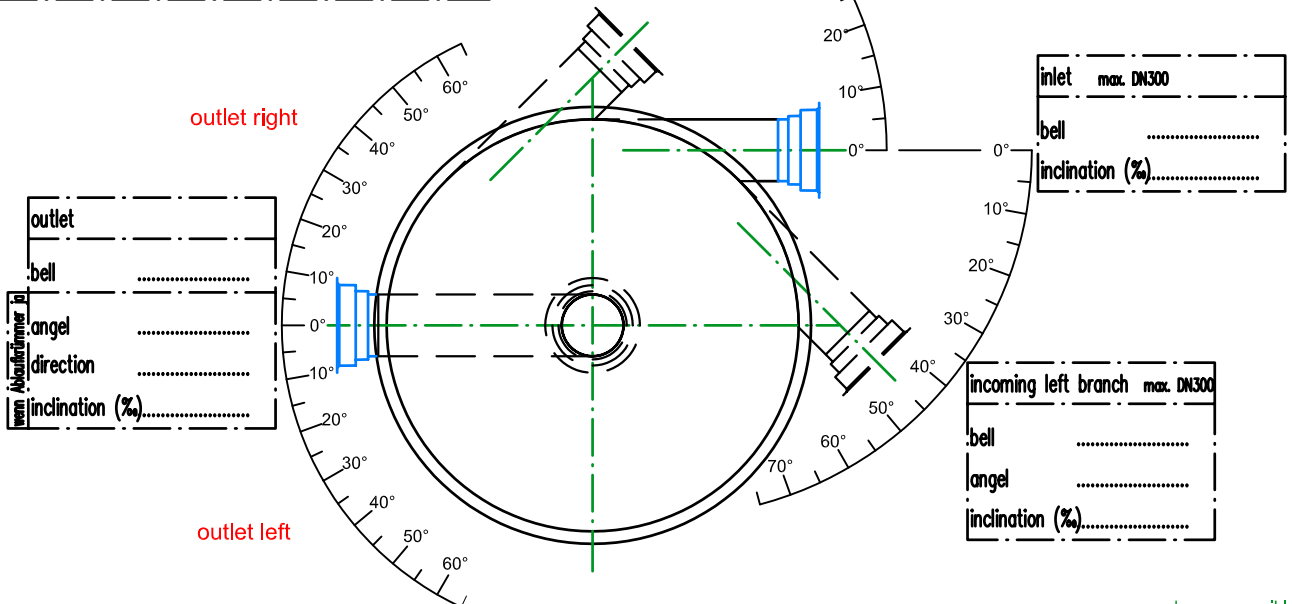


standard option with bell on the outlet



base liner number
with outlet elbow?	yes <input type="checkbox"/> no <input type="checkbox"/>
quantity

incoming right branch max. DN300	
bell
angel
inclination (%)



changes possible



energy reducing base liner

DN 1000
anticlockwise
tangential inlet

Downloads

<http://www.predl.eu>

file format:
Acrobat Reader 5.0 oder höher

Order sheet

concrete plant

building company

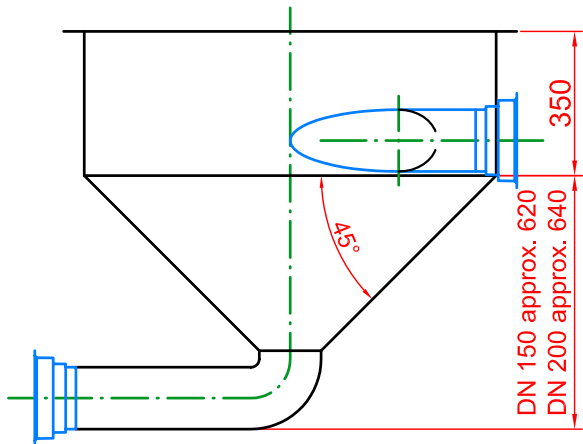
building site.....

date

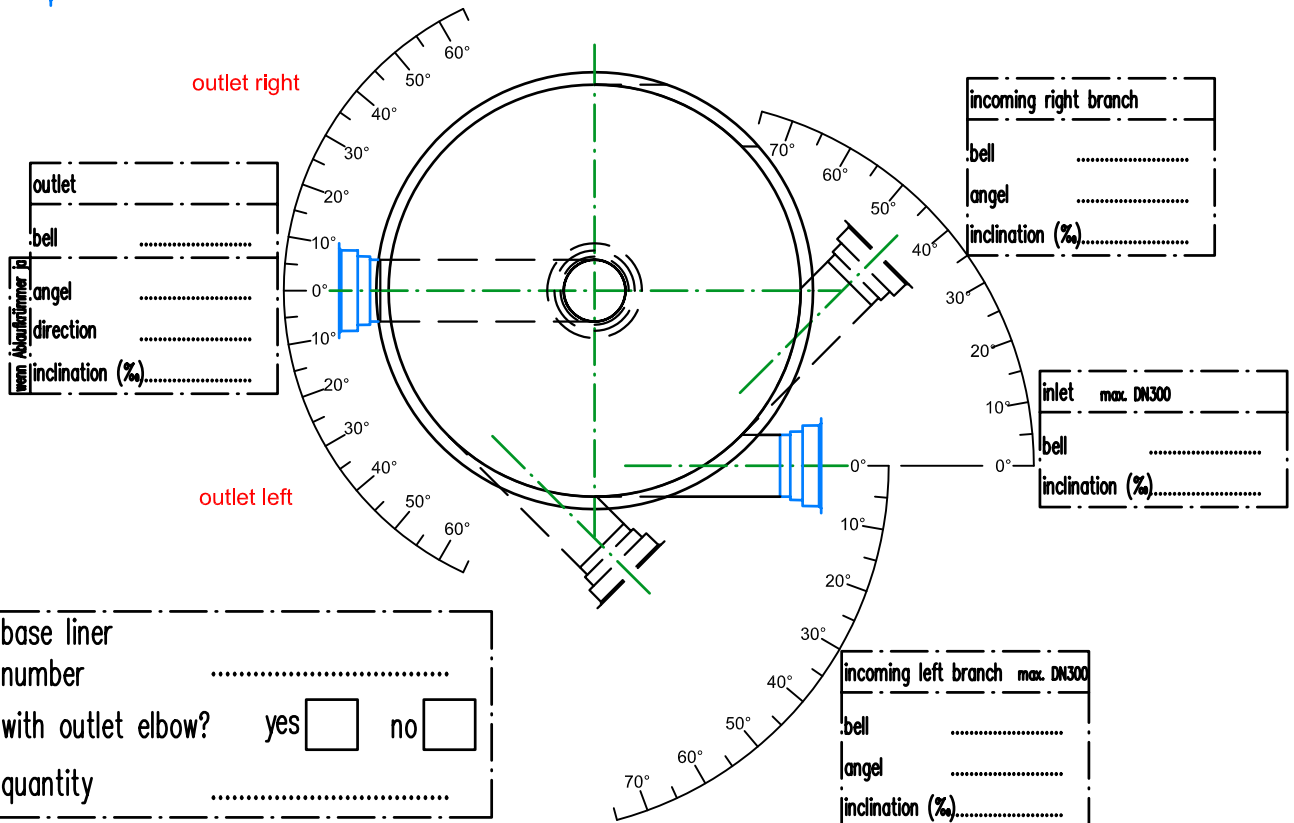
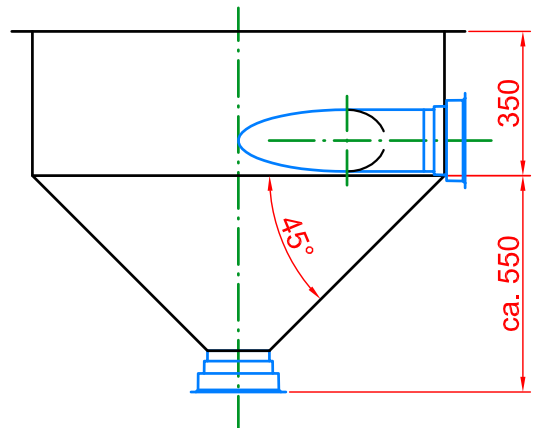
base liner manufacturer

others

cost option with outlet elbow



standard option with bell on the outlet



changes possible



energy reducing base liner

DN 1000
clockwise
tangential inlet

Downloads

<http://www.predl.eu>

file format:
Acrobat Reader 5.0 oder höher

Energy reducing manhole

Delivery and installation of a finished monolithic (in one piece) concrete manhole base designed for the conversion of energy with tangential inlet and vertical outlet with a sewage water resistant base liner (GRP-UP) and efficient bonding bridges. The bells for connecting the pipes are to be integrated in the manhole base and must not protrude from the manhole wall.

Material thickness: minimum 4 mm
Product: Predl AUSTRIA Ges.m.b.H.
 Murbergstraße 80,
 A-8072 Fernitz
 Or equivalent



Energy reducing manhole

Downloads under

<http://www.predl.eu>

File format:
Acrobat Reader 5.0 or superior