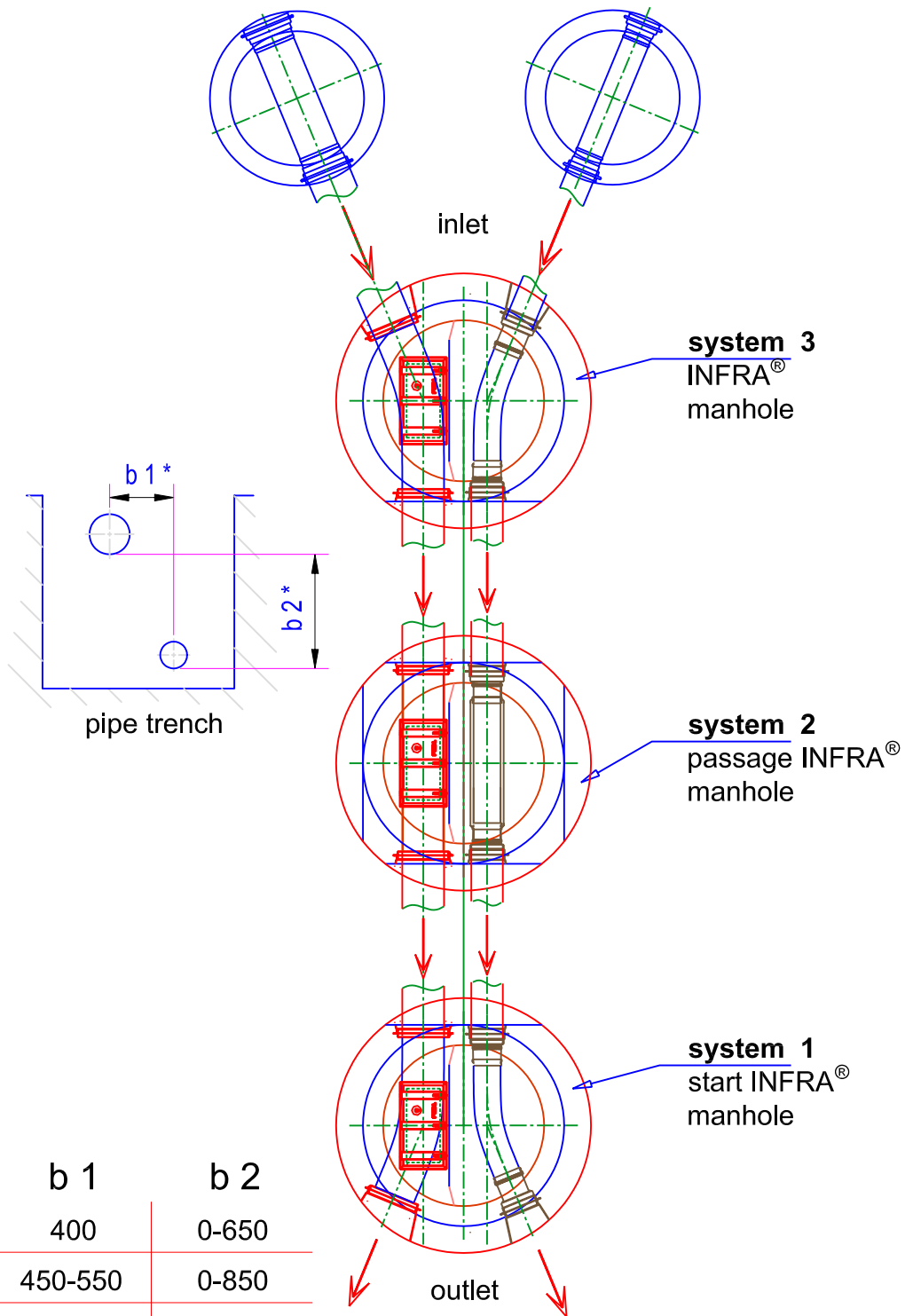


**RW** separated canal systems **SW**



changes possible

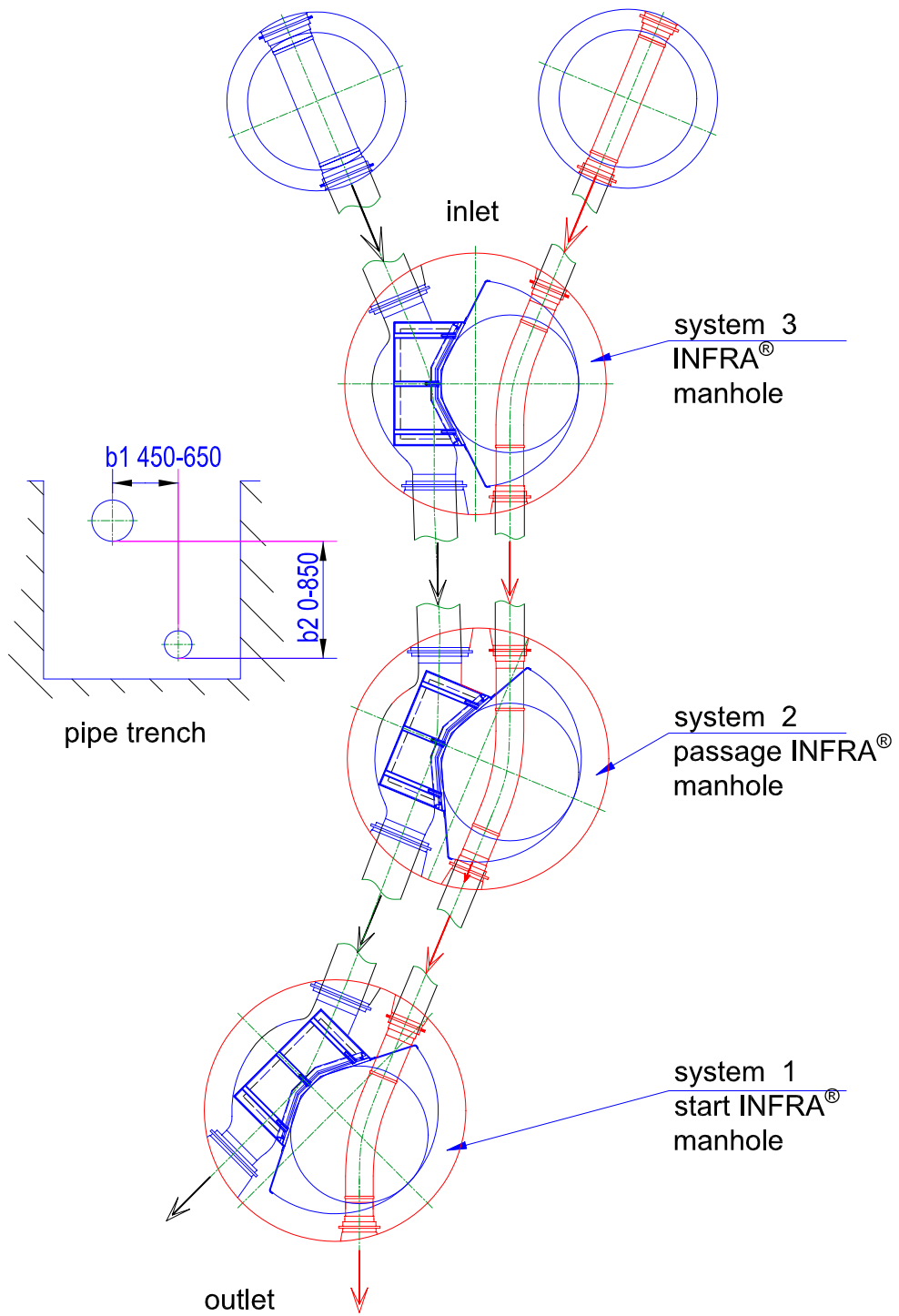


standard INFRAs<sup>®</sup>  
representation

Downloads  
<http://www.predl.eu>

file format  
Acrobat Reader 5.0

RW separated canal systems SW



changes possible

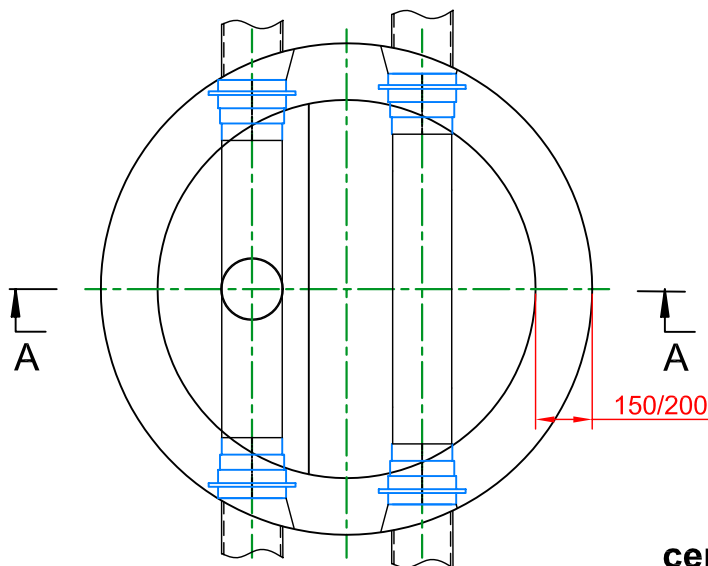
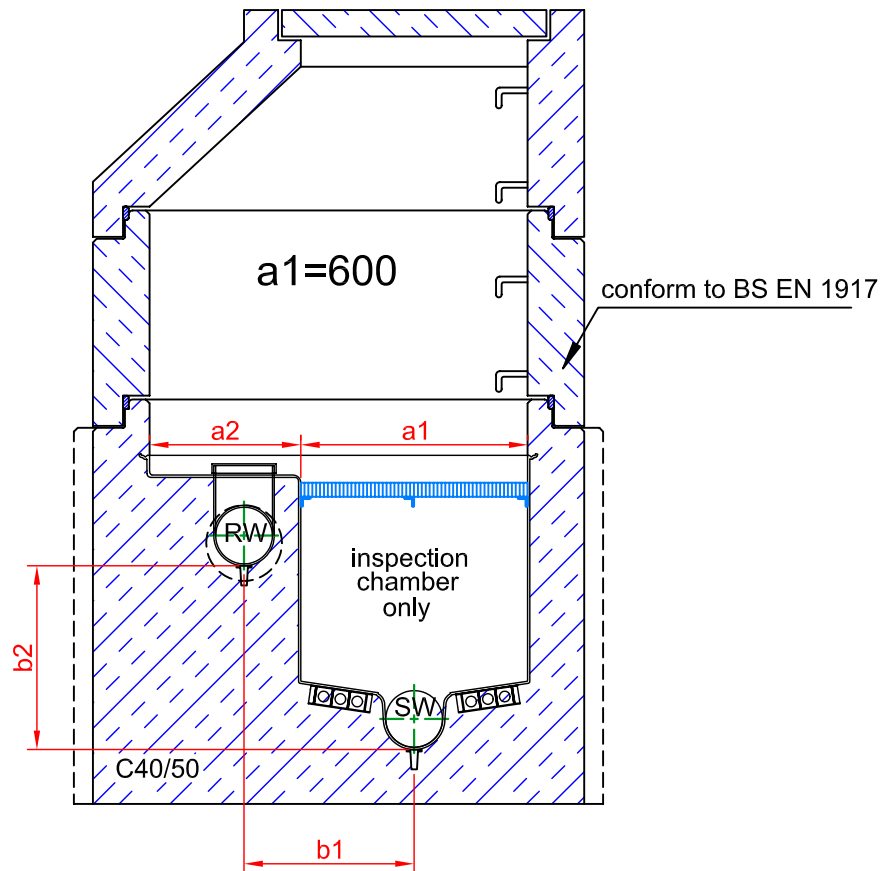


INFRA<sup>®</sup>  
diagram

Downloads  
<http://www.predl.eu>

file format  
Acrobat Reader 5.0

cross section A-A



certification Z-42.1-355

changes possible



house connecting manhole  
system INFRA<sup>®</sup> DN 1000

RW/SW DN 150 - DN 200  
b1 = 400 mm / b2 = 0-650 mm

- diagram -

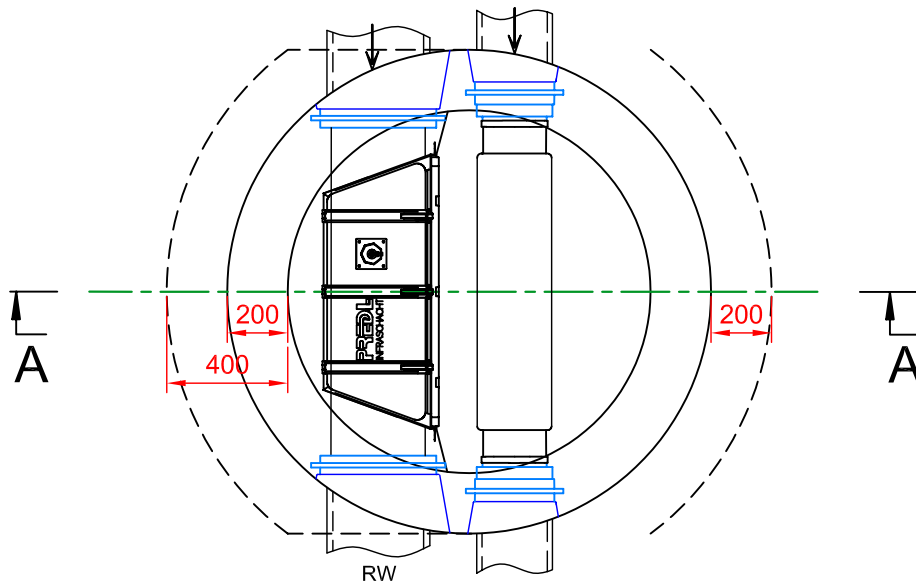
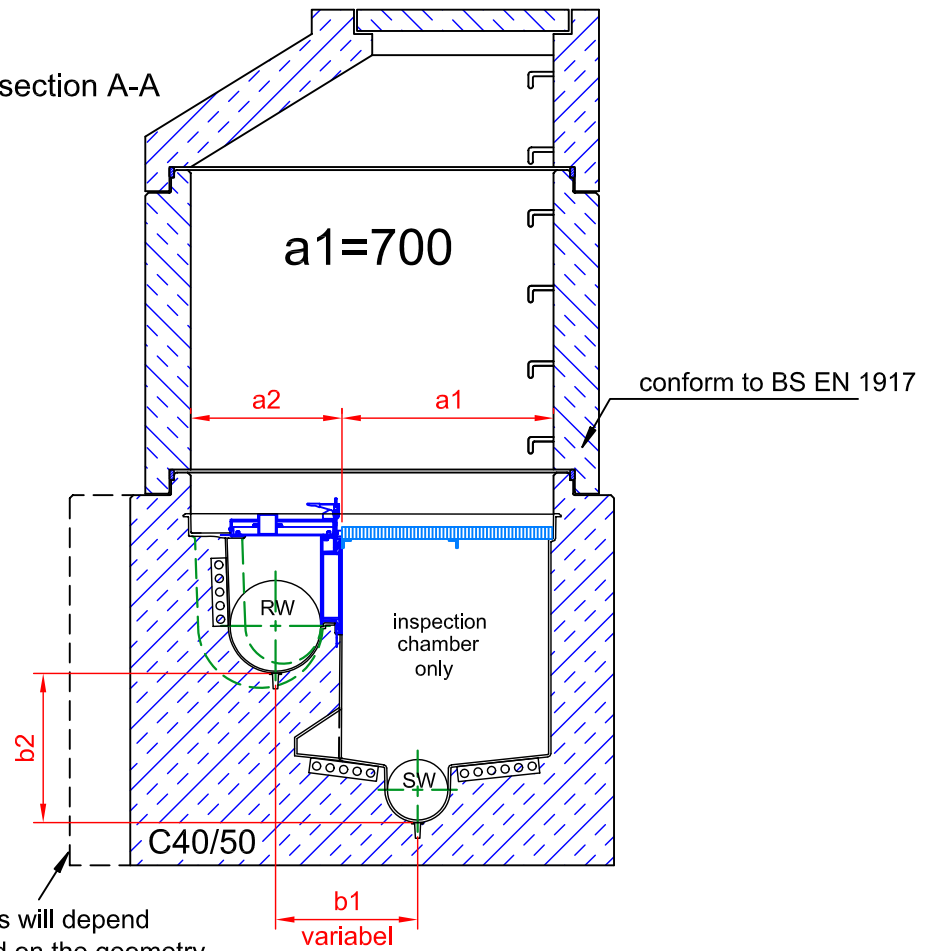
scale 1:20

Downloads

<http://www.predl.eu>

file format  
Acrobat Reader 5.0

cross section A-A



changes possible



standard INFRA<sup>®</sup> manhole DN 1200

RW/SW DN 150 - DN 400

$b_1 = 450-550 \text{ mm} / b_2 = 0 - 850 \text{ mm}$

- diagram -

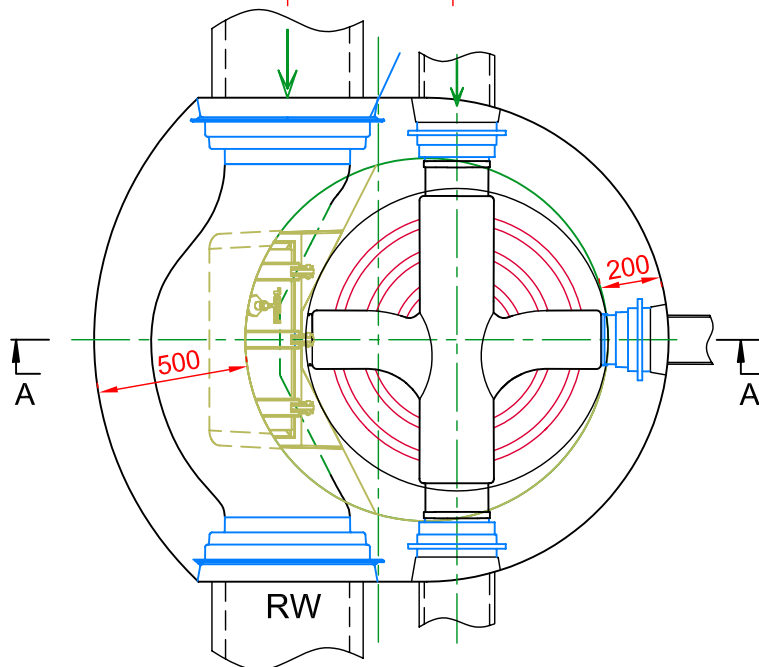
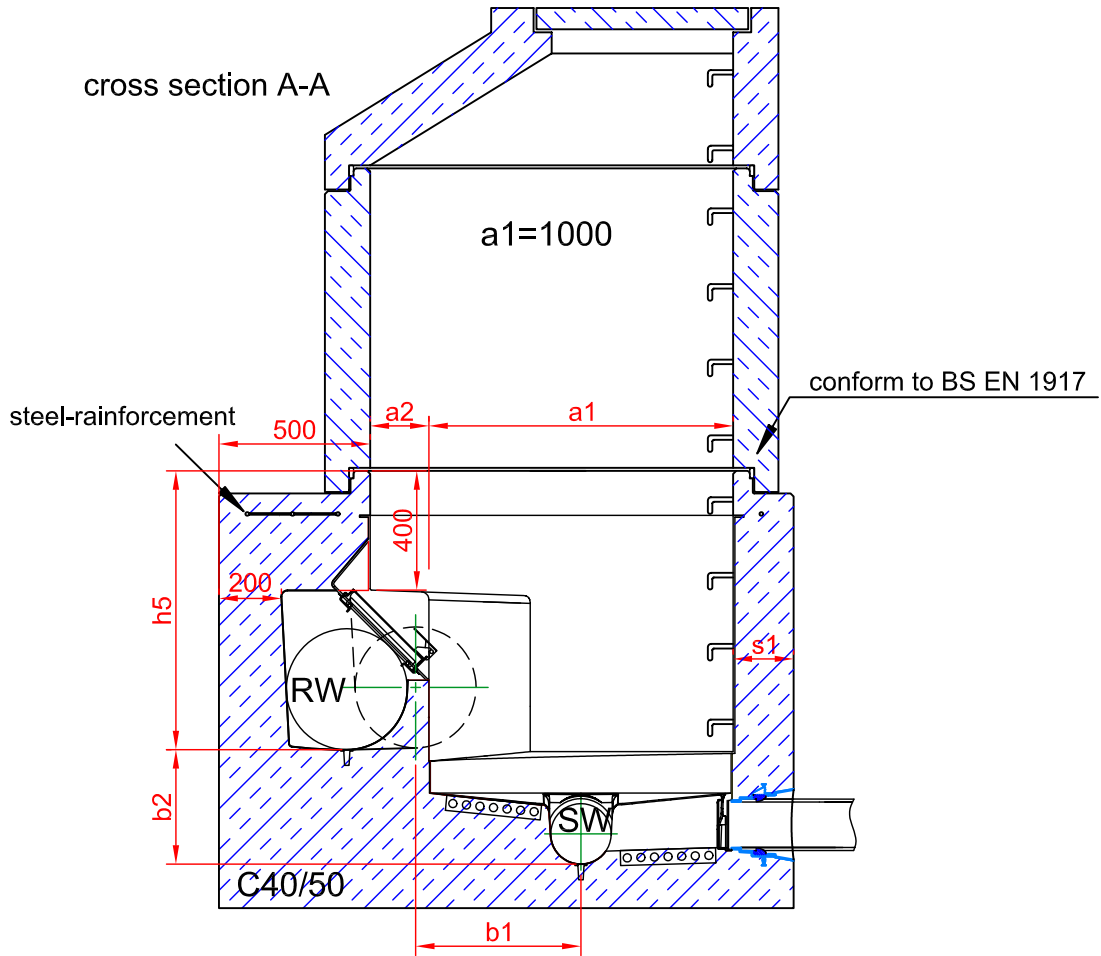
scale 1:25

Downloads

<http://www.predl.eu>

file format  
Acrobat Reader 5.0

cross section A-A



changes possible



INFRA<sup>®</sup> manhole system DN 1200

RW/SW DN 150 - DN 400

$b_1 = 550$  mm /  $b_2 = 0 - 850$  mm

- diagram -

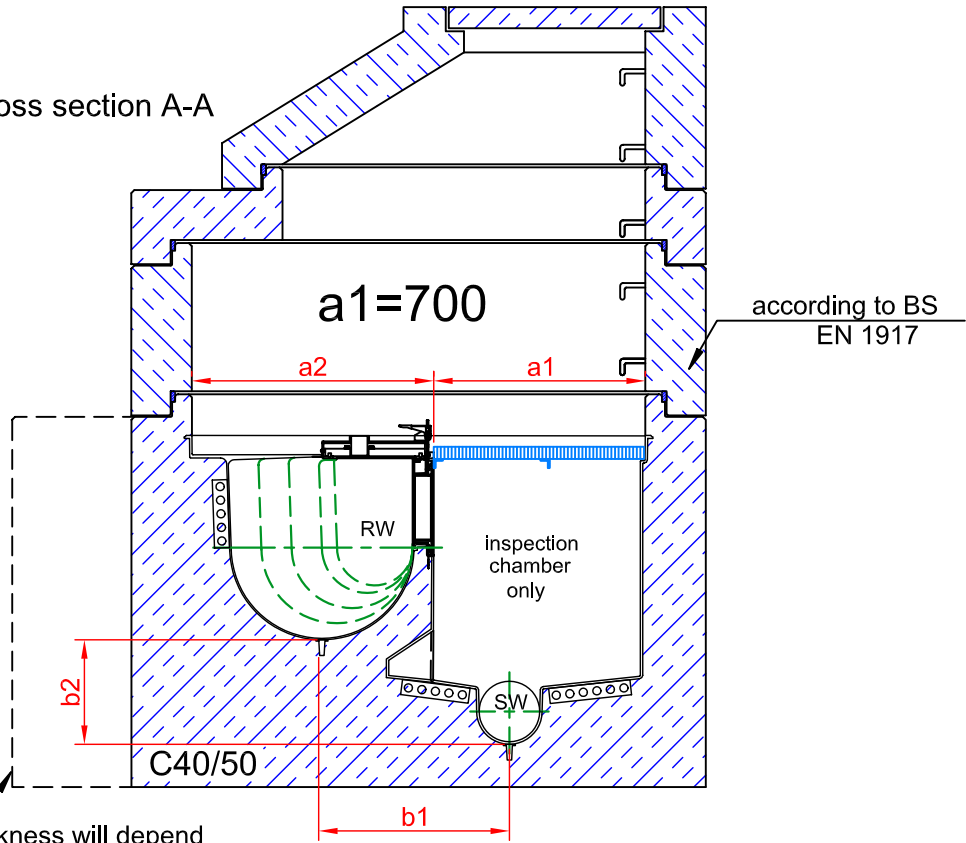
scale 1:25

Downloads

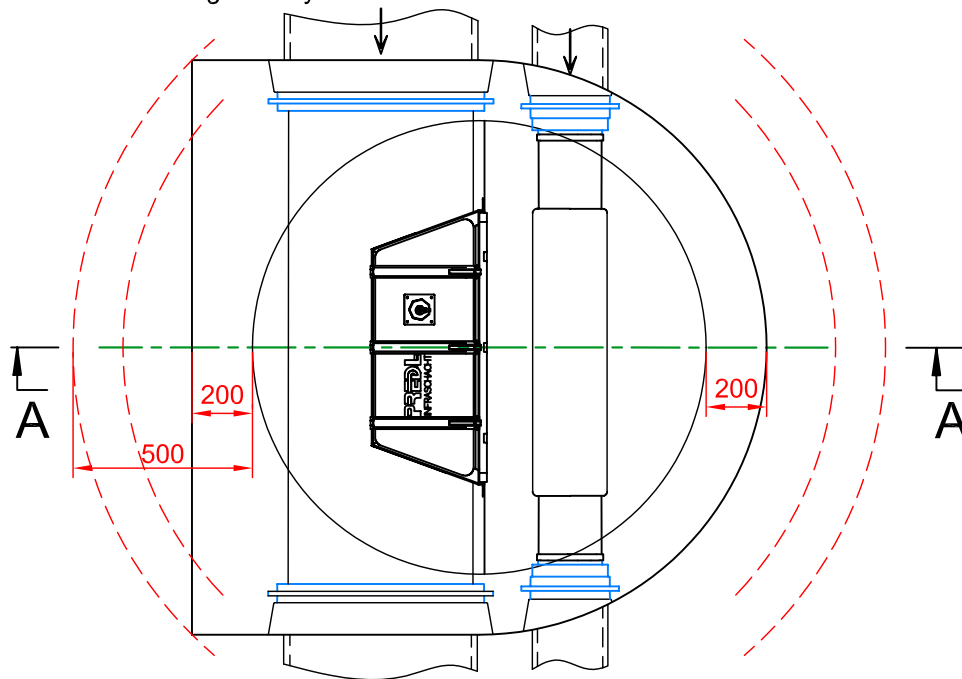
<http://www.predl.eu>

file format  
Acrobat Reader 5.0

cross section A-A



the wall thickness will depend on the RW Ø and on the geometry



changes possible



standard INFRA® manhole DN 1500

RW/SW DN 150 - DN 600

b1 = 450 - 650 mm / b2 = 0 - 850 mm

- diagram -

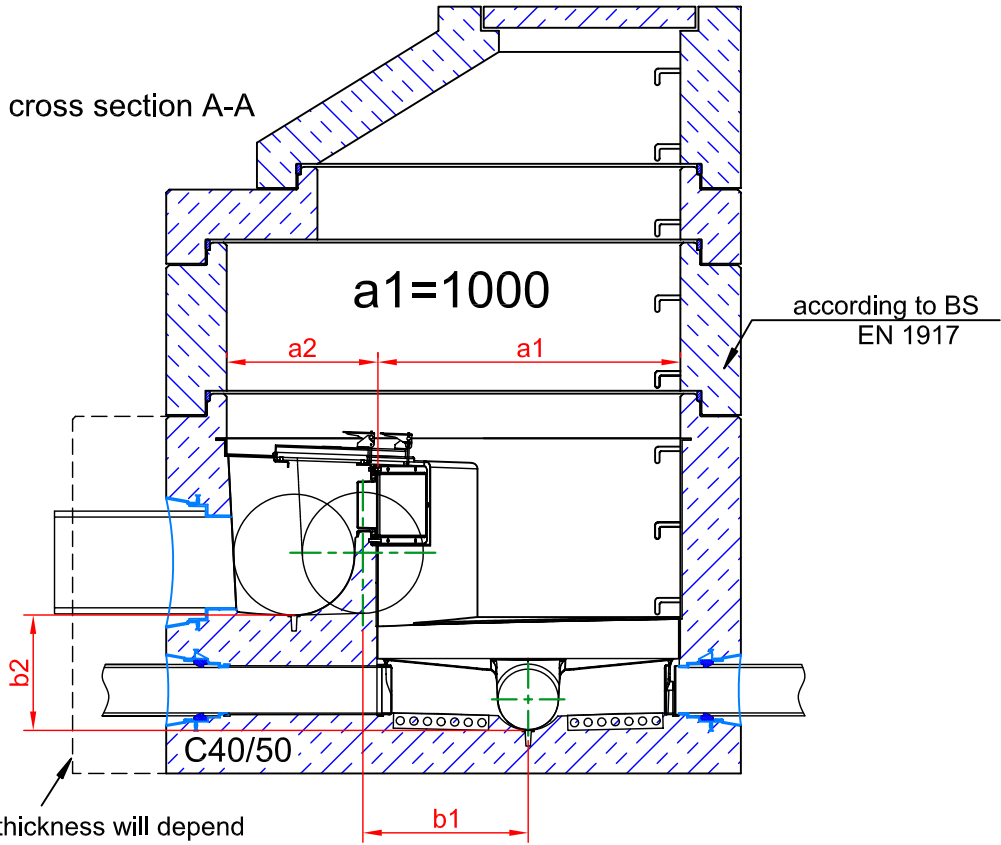
scale 1:25

Downloads

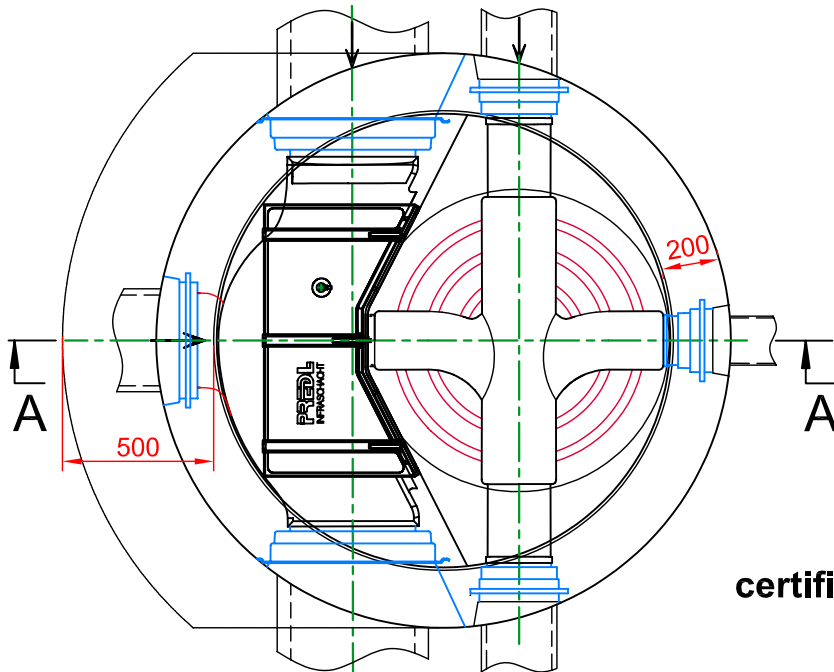
<http://www.predl.eu>

file format  
Acrobat Reader 5.0

cross section A-A



the wall thickness will depend on the RW Ø and on the geometry



certification Z-42.1-355

changes possible



INFRA® manhole system DN 1500

RW/SW DN 150 - DN 600

b1 = 550 mm / b2 = 0 - 850 mm

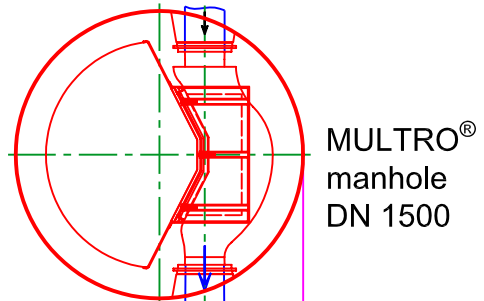
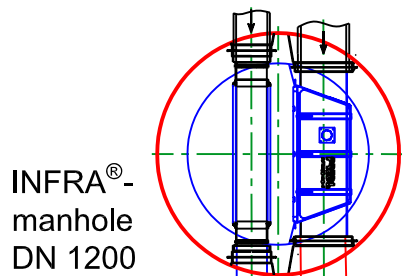
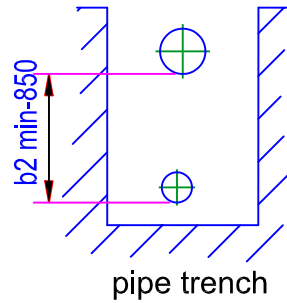
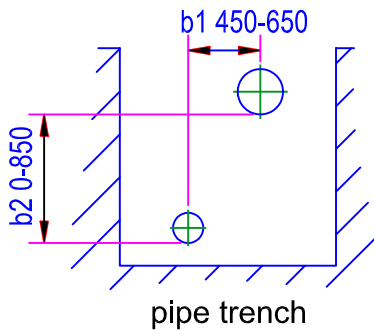
- diagram -

scale 1:25

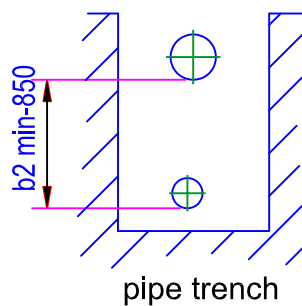
Downloads

<http://www.predl.eu>

file format  
Acrobat Reader 5.0



510



changes possible



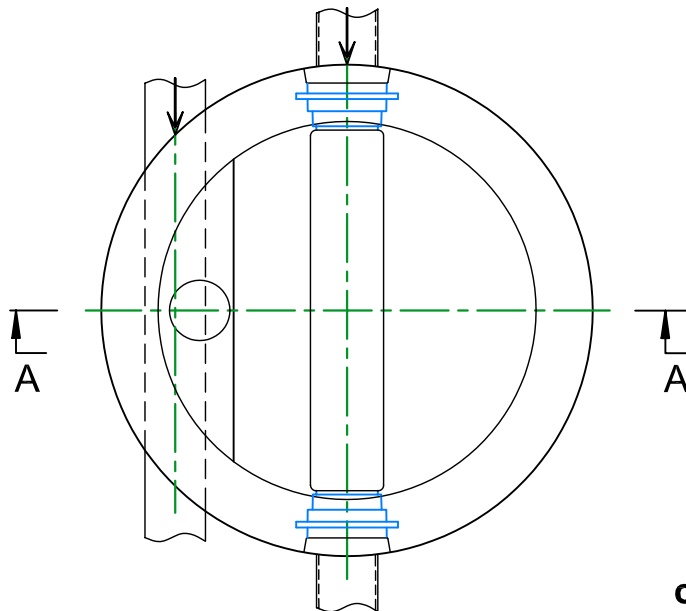
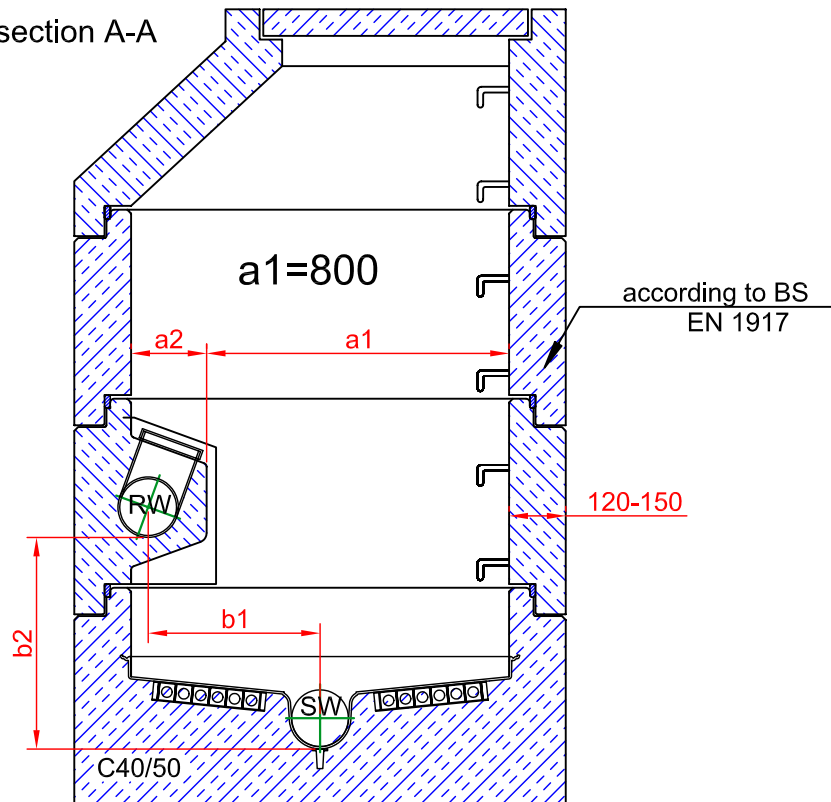
**INFRA<sup>®</sup>/MULTRO<sup>®</sup>  
diagram**

Downloads  
<http://www.predl.eu>

file format  
Acrobat Reader 5.0



cross section A-A



certification Z-42.1-355

changes possible



house connecting manhole  
system MULTRO<sup>®</sup> DN 1000

RW/SW DN 150

$b_1 = 400$  mm /  $b_2 = \text{min } 500$  mm

- diagram -

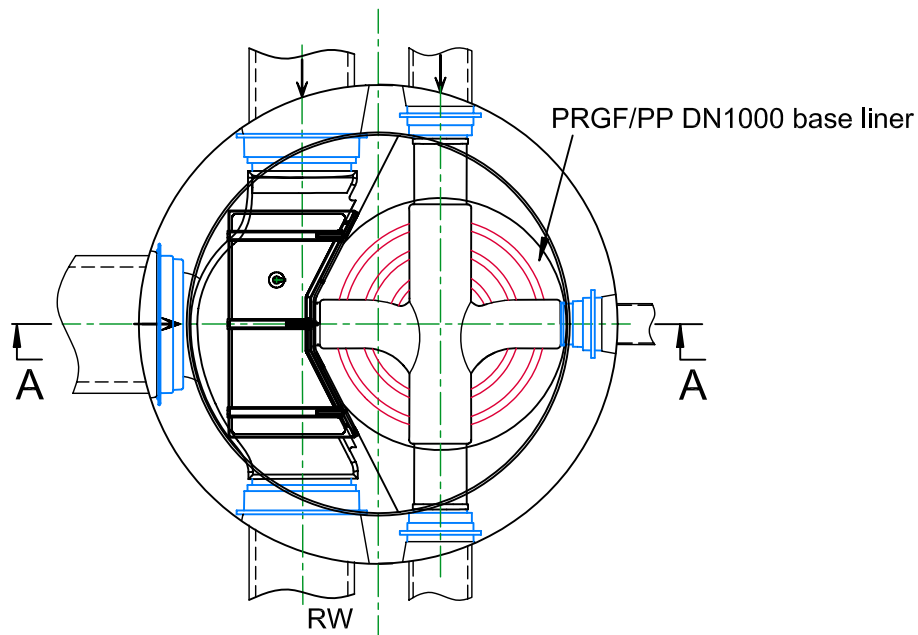
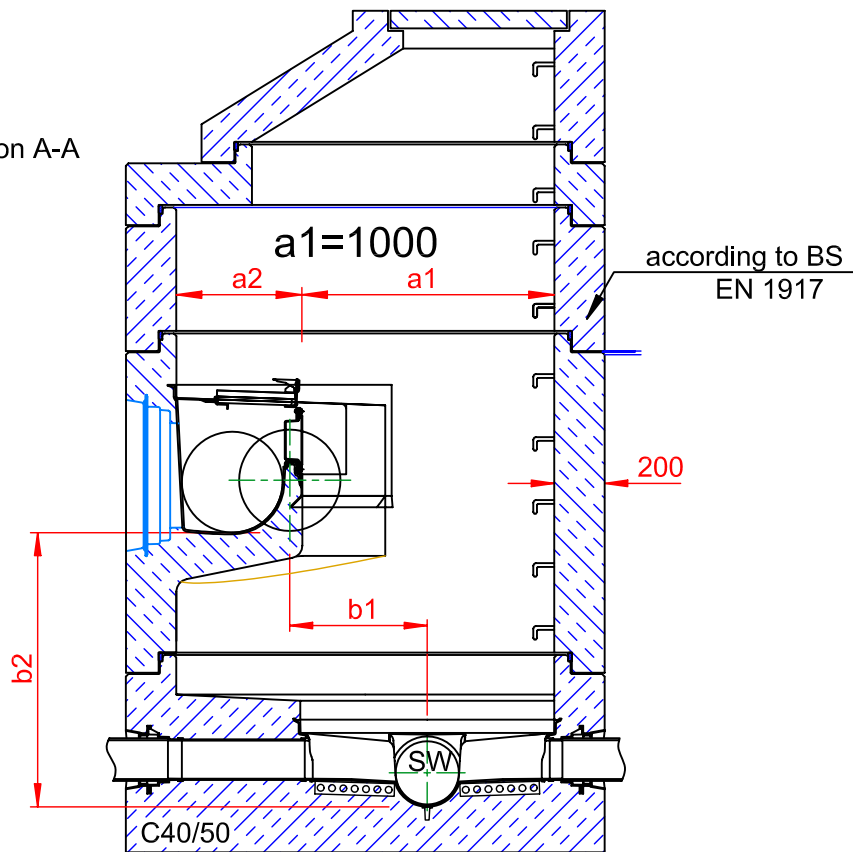
scale 1:20

Downloads

<http://www.predl.eu>

file format  
Acrobat Reader 5.0

cross section A-A



certification Z-42.1-355

changes possible



system MULTRO<sup>®</sup> DN 1500

RW/SW DN 150 - DN 400

b1 = 0 - 550 mm / b2 = min 850 mm

- diagram -

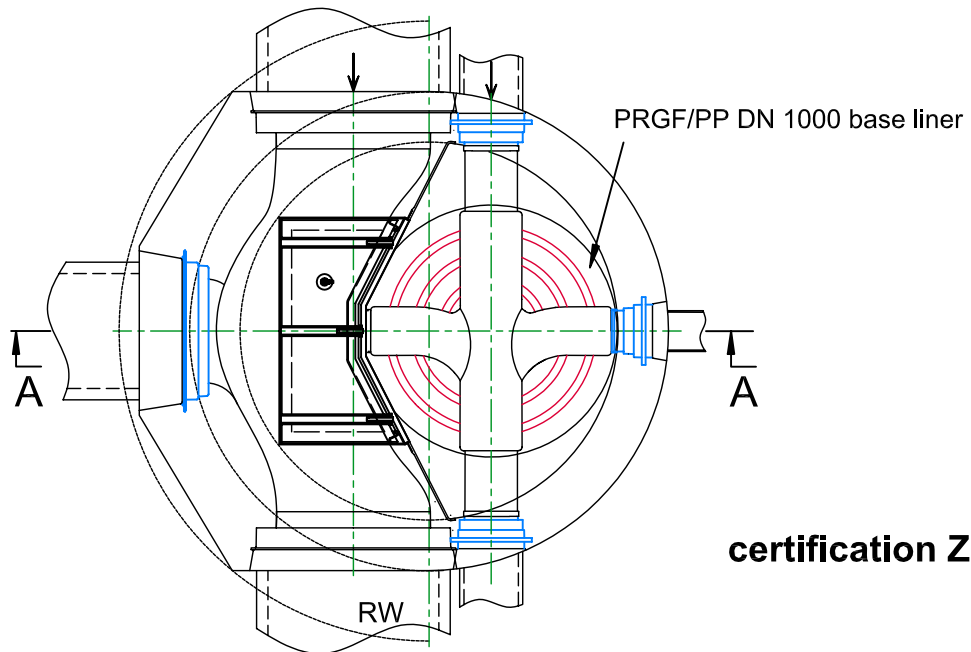
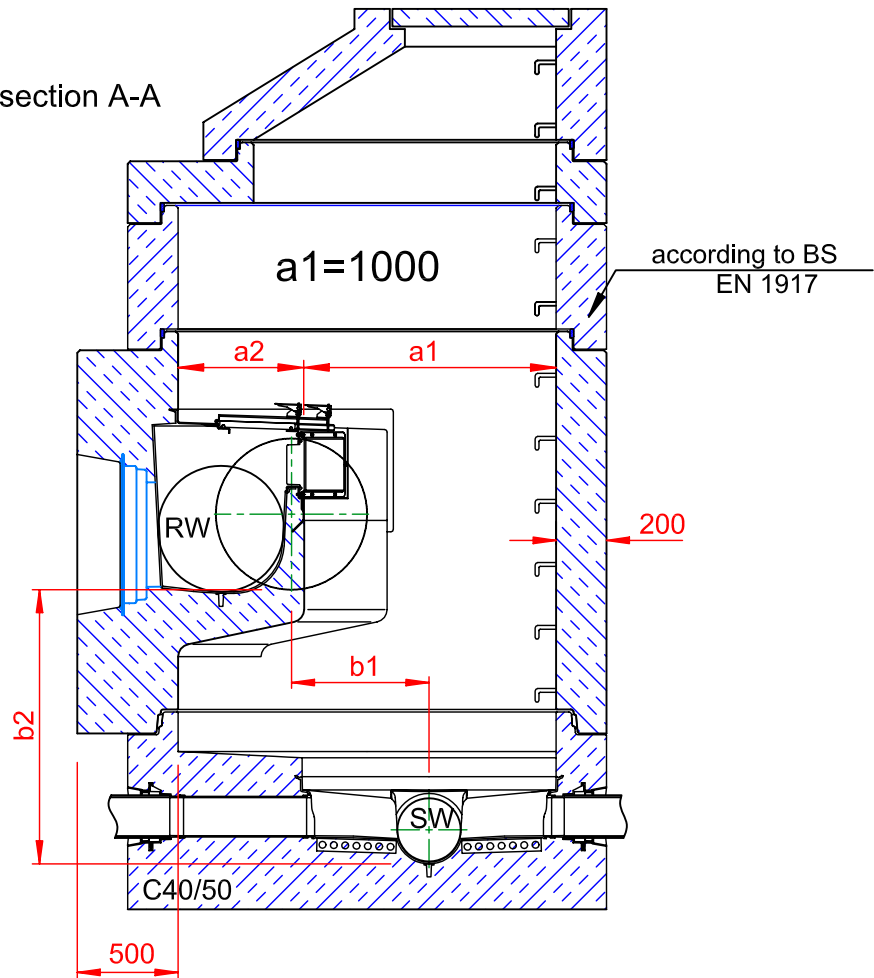
scale 1:30

Downloads

<http://www.predl.eu>

file format  
Acrobat Reader 5.0

cross section A-A



certification Z-42.1-355

changes possible



system MULTRO® DN 1500

RW/SW DN 500 - DN 600

b1 = 0 - 550 mm / b2 = min 850 mm

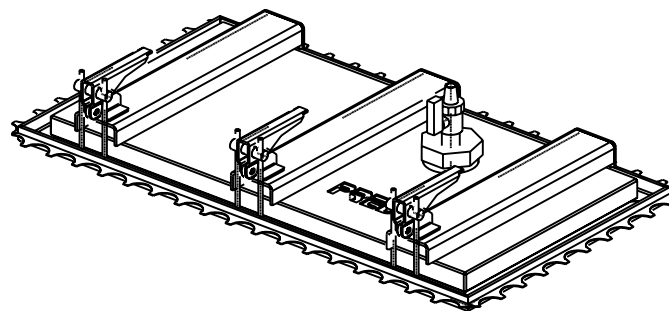
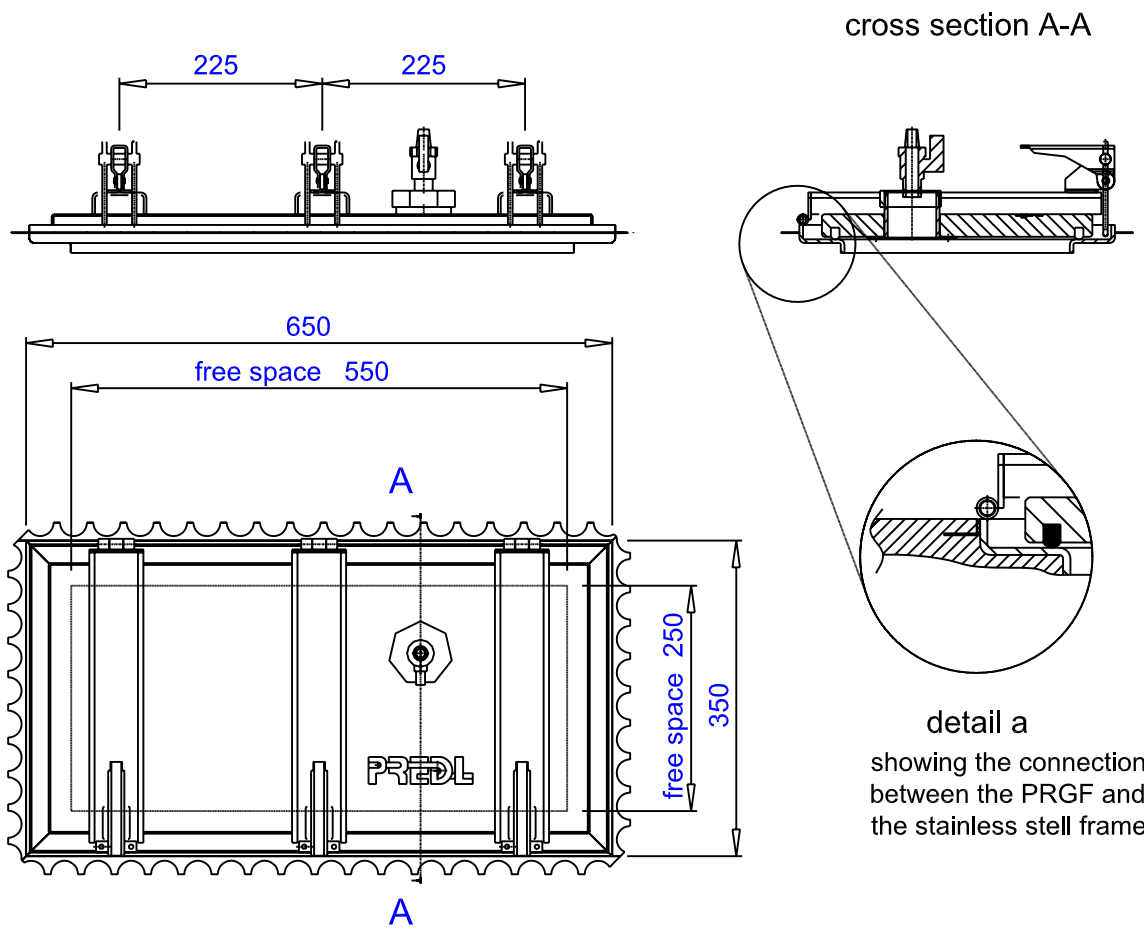
- diagram -

scale 1:30

Downloads

<http://www.predl.eu>

file format  
Acrobat Reader 5.0



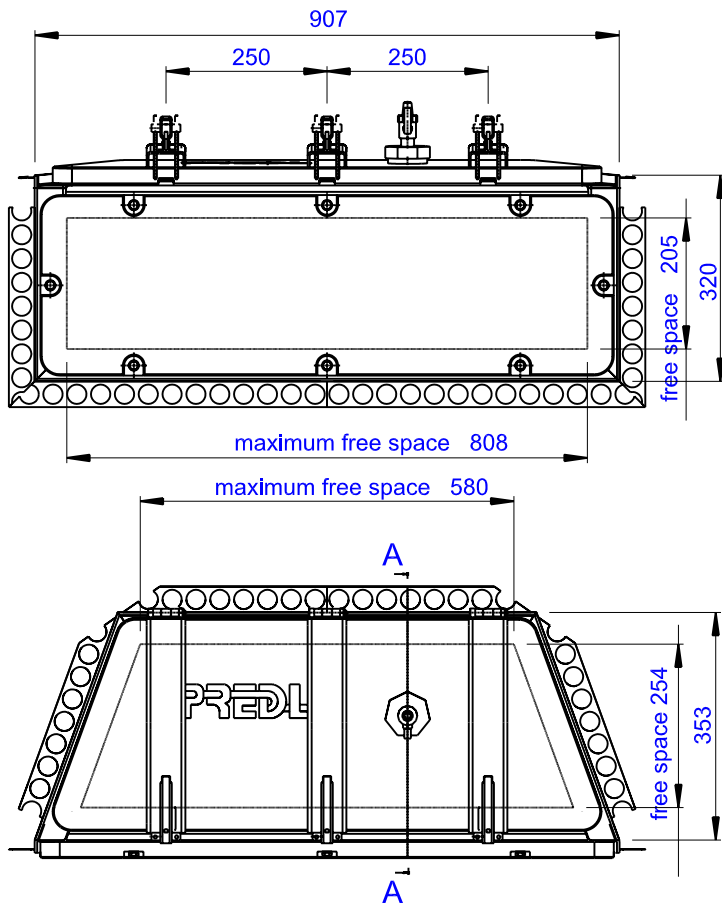
changes possible



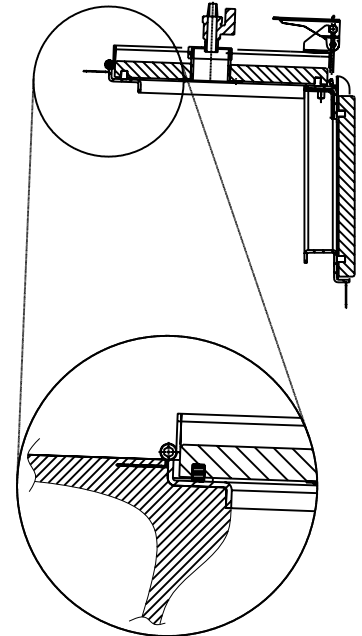
standard closing devise  
for INFRA<sup>®</sup> and MULTRO<sup>®</sup>  
manhole systems

Downloads  
<http://www.predl.eu>

file format  
Acrobat Reader 5.0

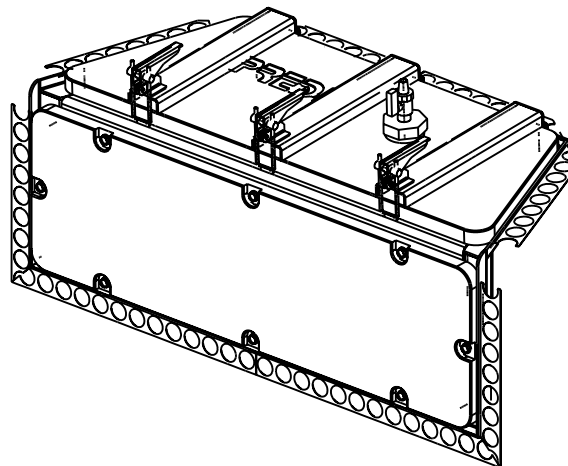


cross section A-A



detail a

showing the connection between the PRGF and the stainless steel frame



changes possible



angular access trap for  
closed canal crossing the  
INFRA<sup>®</sup> manhole

Downloads

<http://www.predl.eu>

file format  
Acrobat Reader 5.0