

# pumping manhole

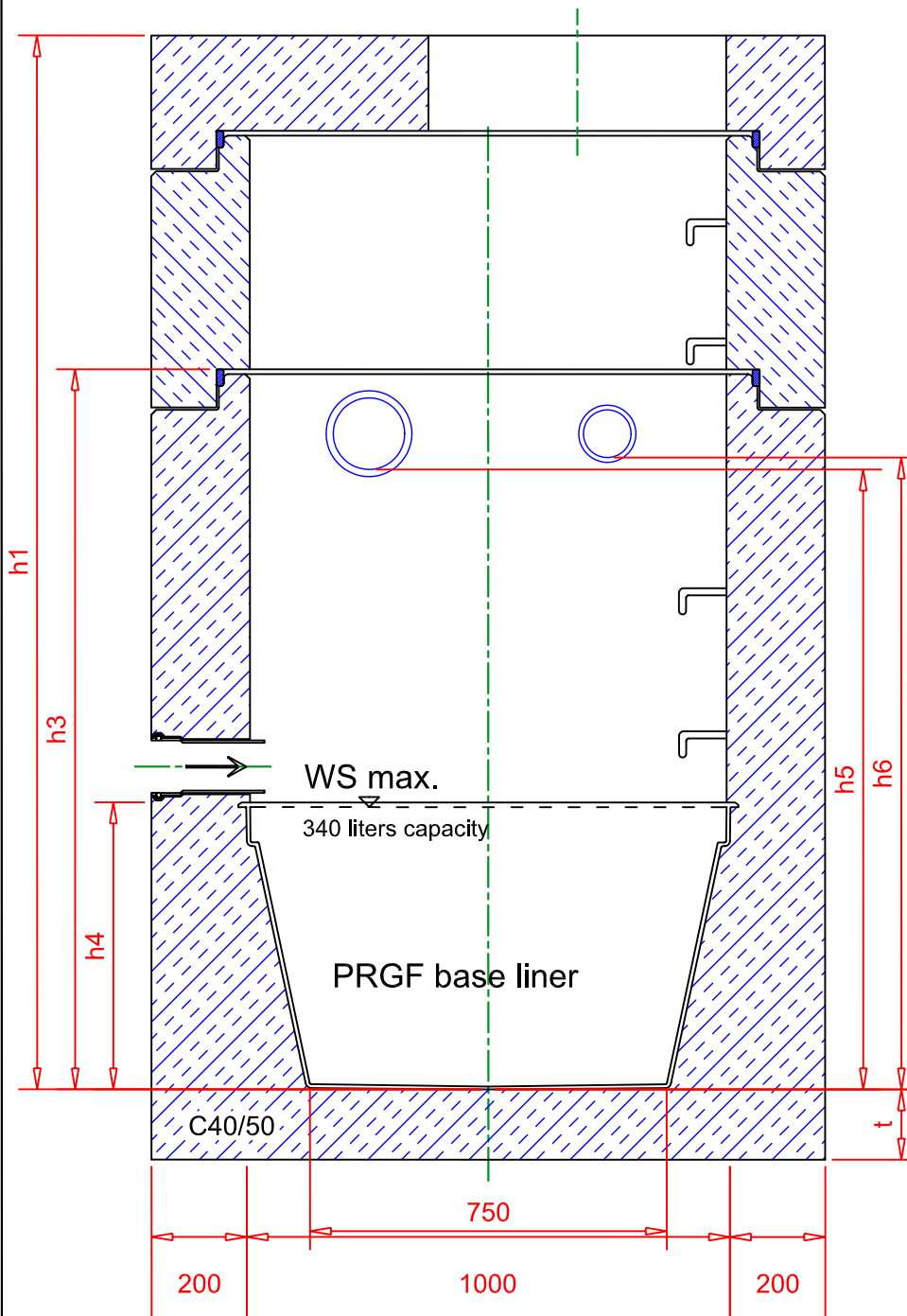
out of precast concrete according to DIN V 4034/EN 1917

with factory built in base liner

**central profile cylinder, PREDL® system**

on demand with factory built in pump equipment

brand and type according to choice



## precast concrete base

conform to BS EN 1917  
DN 1000 - 2000

**h1 = height of manhole**

**h3 = height of manhole base**  
1500 mm

**h4 = inlet, 600 -1200 mm**  
DN 150 for clay,  
PRGF, ductile iron, U-PVC, various  
HD-PE, fibrocement, Ultra-Rib,  
concrete BS EN 1916 and more.

**h5 = outlet, 1300 mm**  
Pipe connections for clay, PRGF,  
ductile iron, U-PVC, various  
HD-PE, fibrocement, Ultra-Rib,  
concrete BS EN 1916 and more.

**h6 = kabel feed through,**  
1325 mm  
NW 100 U-PVC

## concrete rings

manhole ring, manhole pipe,  
manhole neck, cover slab  
to DIN V 4034/EN 1917

## gaskets

gaskets according to the  
BS EN 681

## steps

steps, ladder, ...

changes possible



## manhole

conform to BS EN 1917

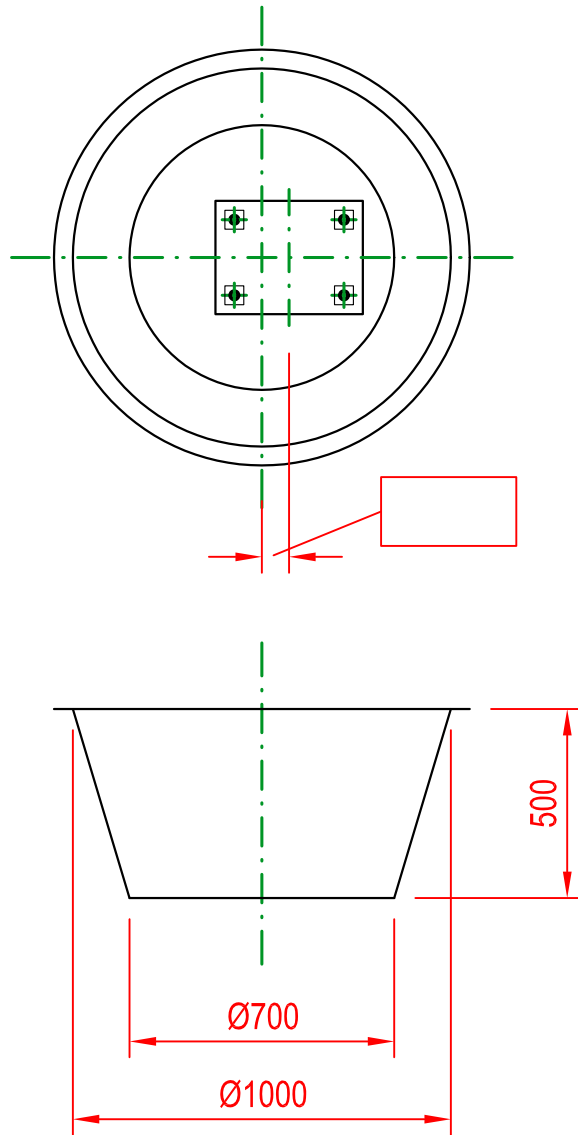
with PREDL® pumping manhole

scale 1:15

Downloads

<http://www.predl.eu>

file format  
Acrobat Reader 5.0



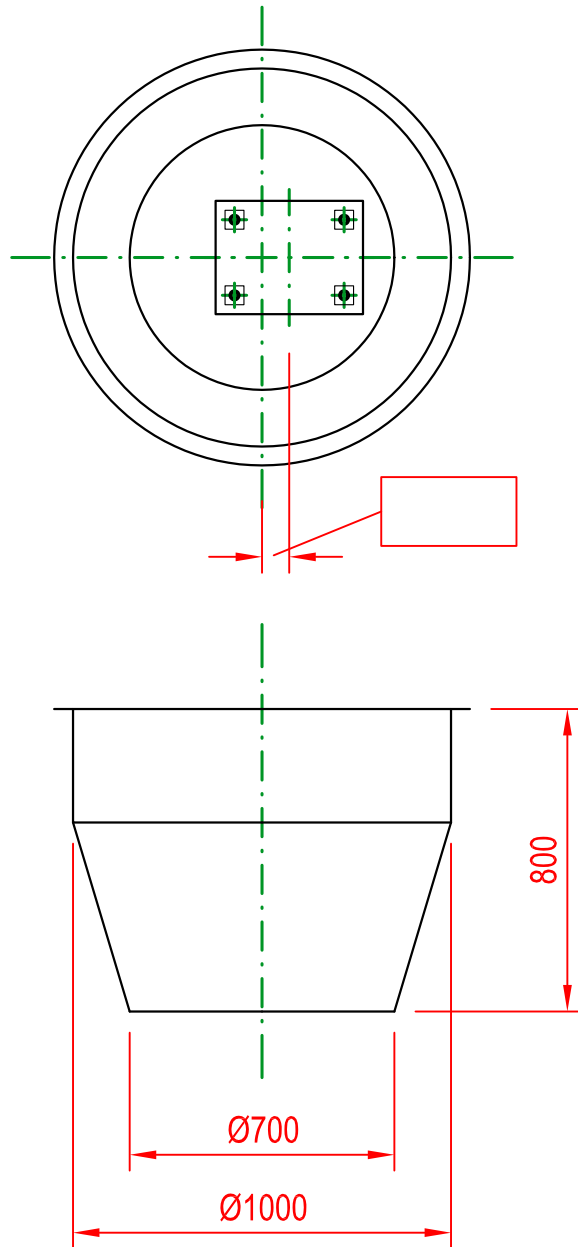
Subject to technical modifications



**PREDL<sup>®</sup> pumping manhole**  
**DN 1000**  
**kordes system**  
**Typ 1**

Downloads under  
<http://www.predl.eu>

File format:  
Acrobat Reader 5.0 or superior



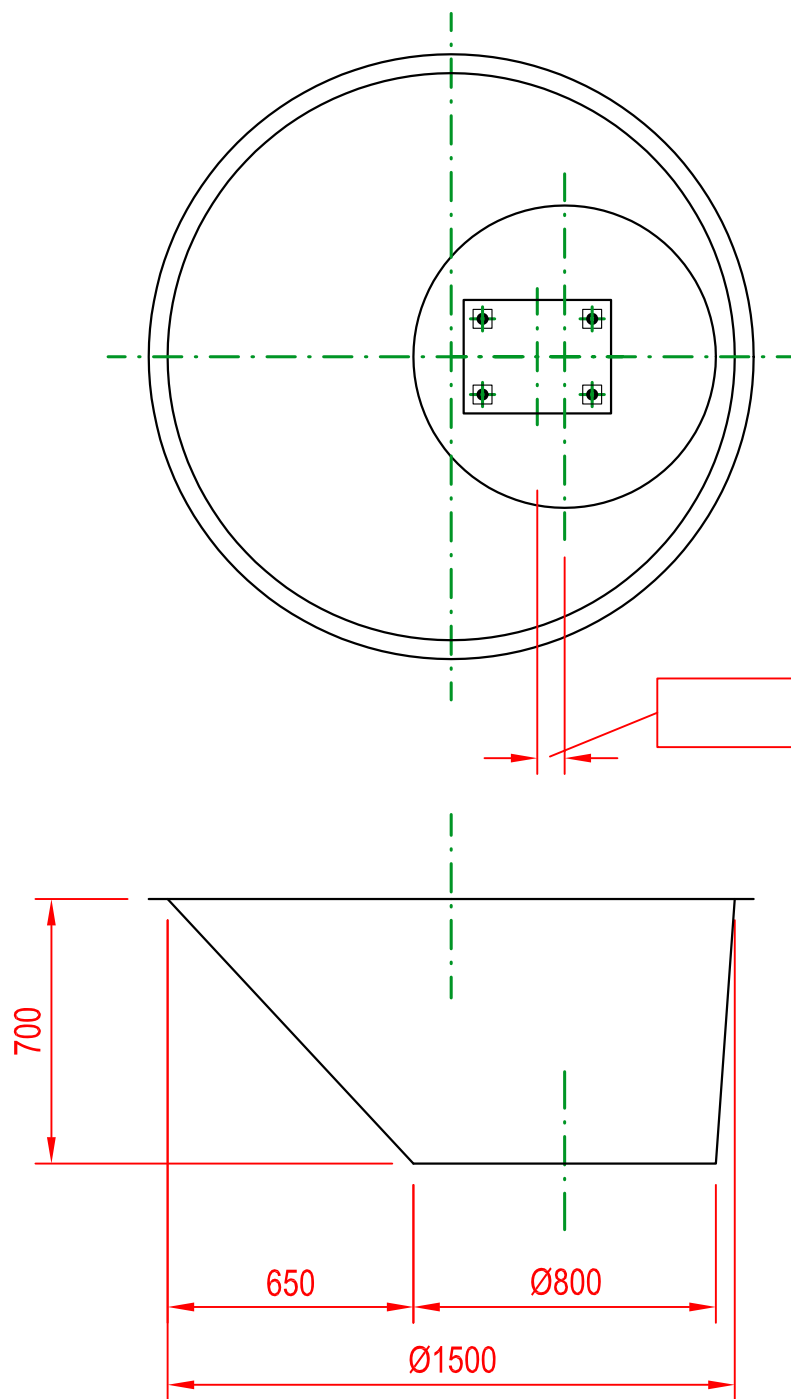
Subject to technical modifications



**PREDL<sup>®</sup> pumping manhole**  
**DN 1000**  
**SW system**  
**Typ 2**

Downloads under  
<http://www.predl.eu>

File format:  
Acrobat Reader 5.0 or superior



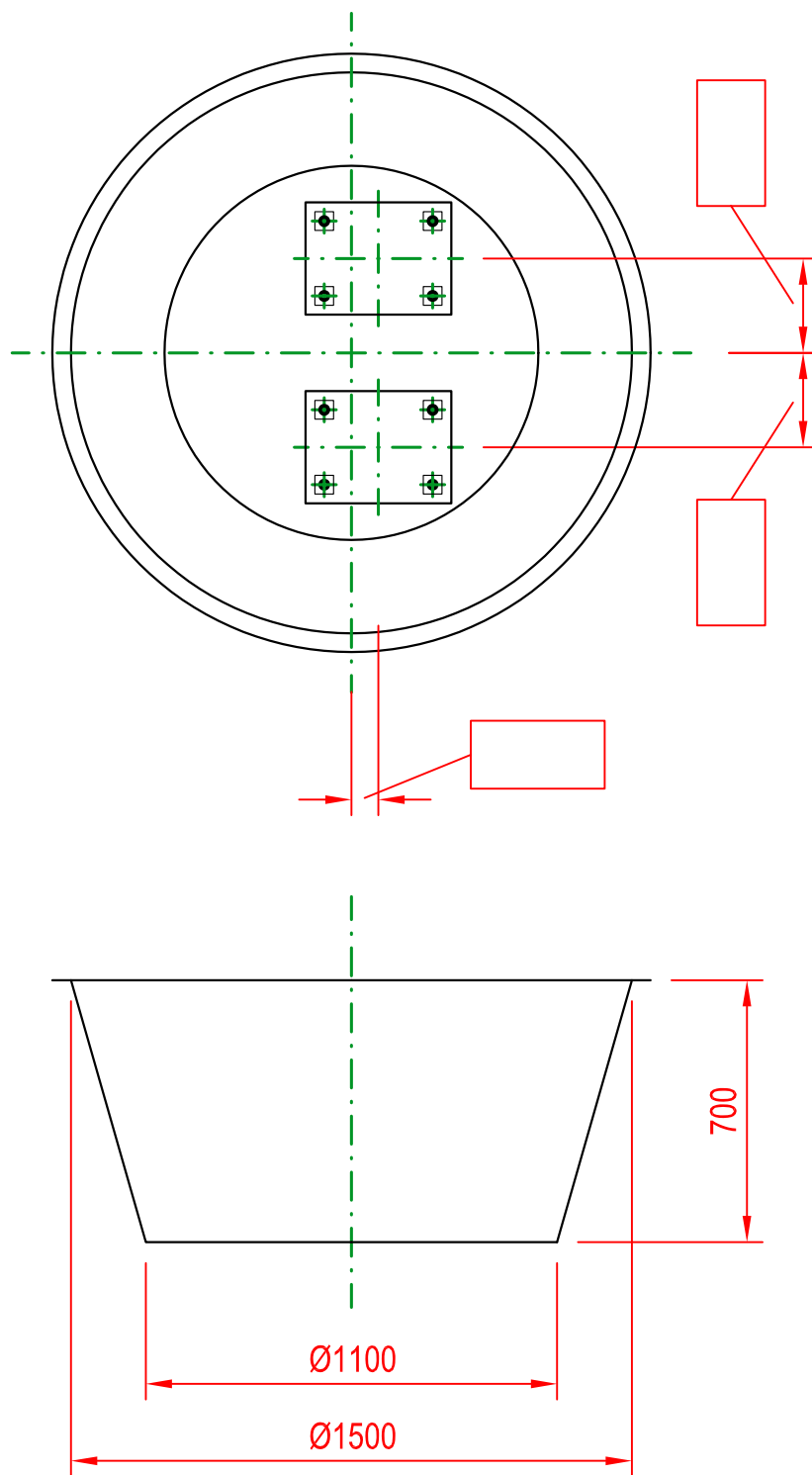
Subject to technical modifications



**PREDL<sup>®</sup> pumping manhole**  
**DN 1500**  
**Typ 3**

Downloads under  
<http://www.predl.eu>

File format:  
 Acrobat Reader 5.0 or superior



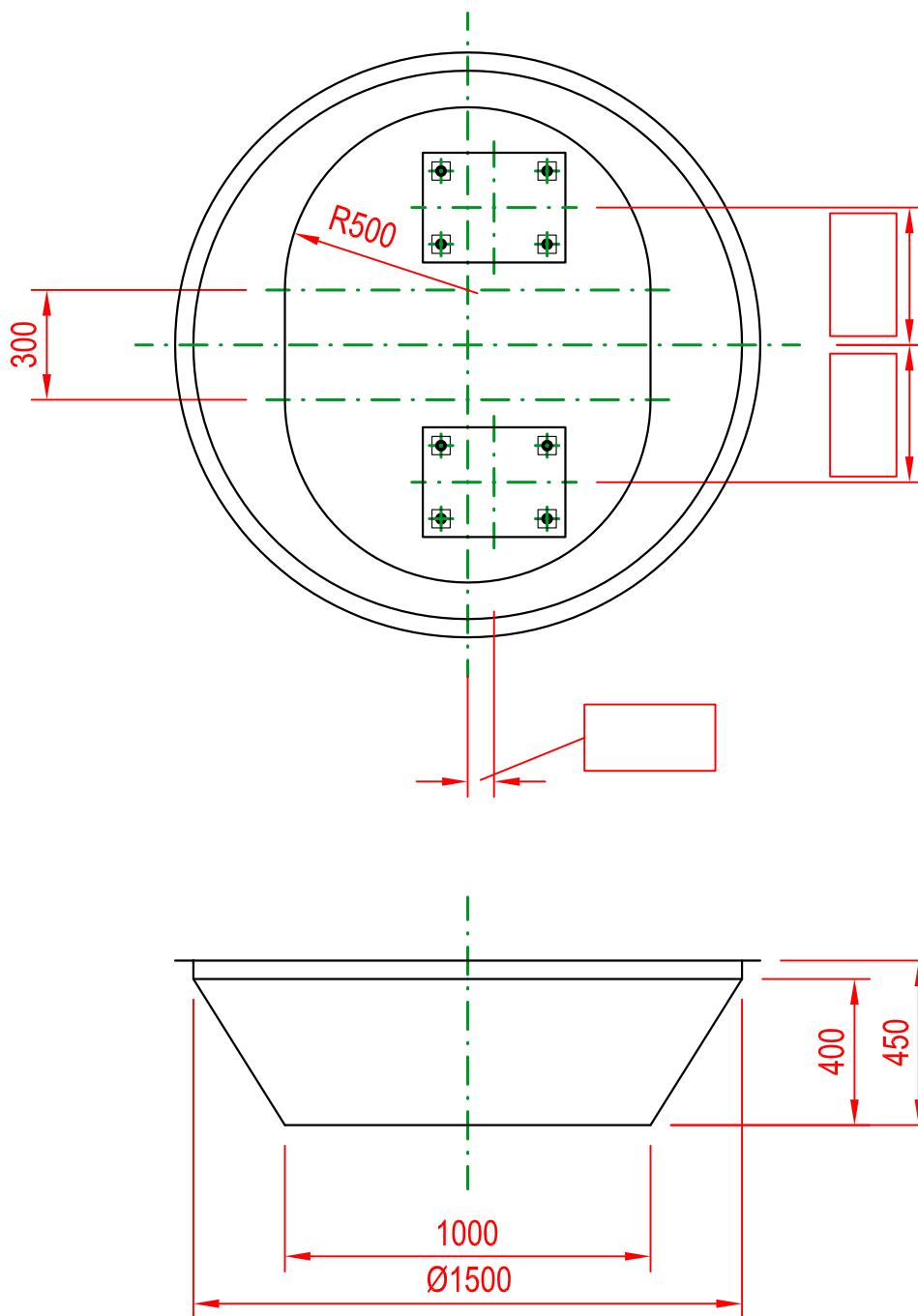
Subject to technical modifications



**PREDL<sup>®</sup> pumping manhole**  
**DN 1500**  
**kordes system**  
**Typ 4**

Downloads under  
<http://www.predl.eu>

File format:  
 Acrobat Reader 5.0 or superior



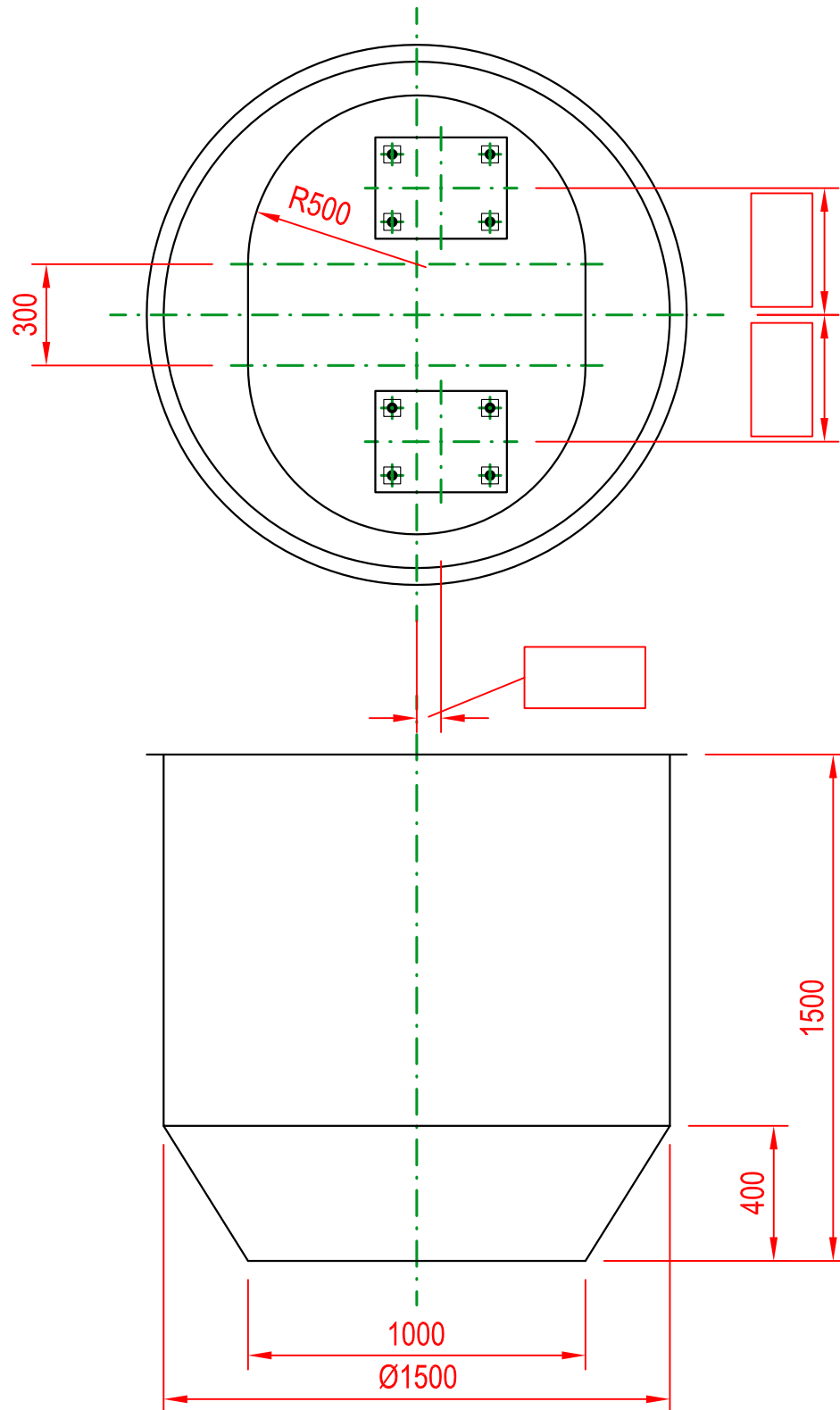
Subject to technical modifications



**PREDL<sup>®</sup> pumping manhole**  
**DN 1500**  
**SW system**  
**Typ 5**

Downloads under  
<http://www.predl.eu>

File format:  
 Acrobat Reader 5.0 or superior



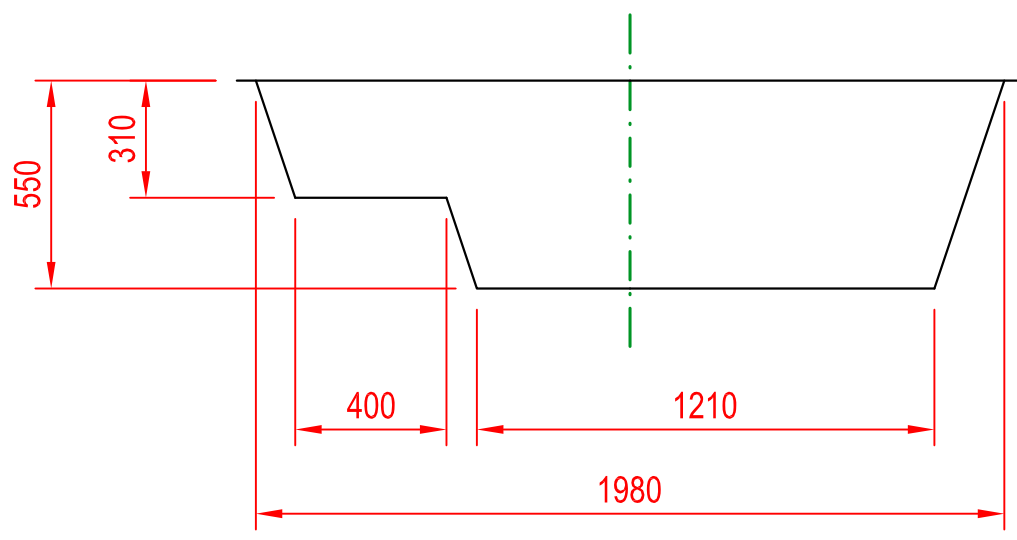
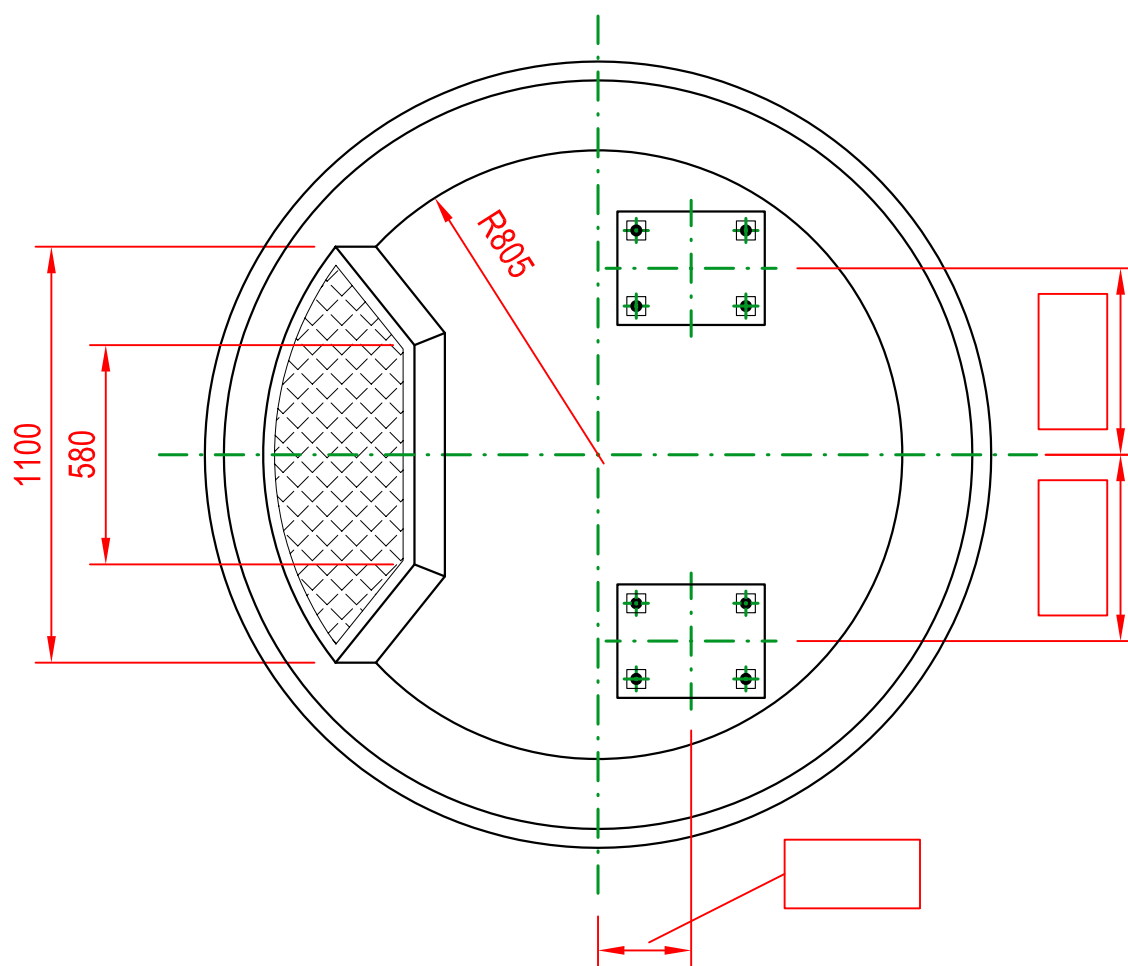
Subject to technical modifications



**PREDL<sup>®</sup> pumping manhole**  
**DN 1500**  
**SW system**  
**Typ 6**

Downloads under  
<http://www.predl.eu>

File format:  
 Acrobat Reader 5.0 or superior



Subject to technical modifications



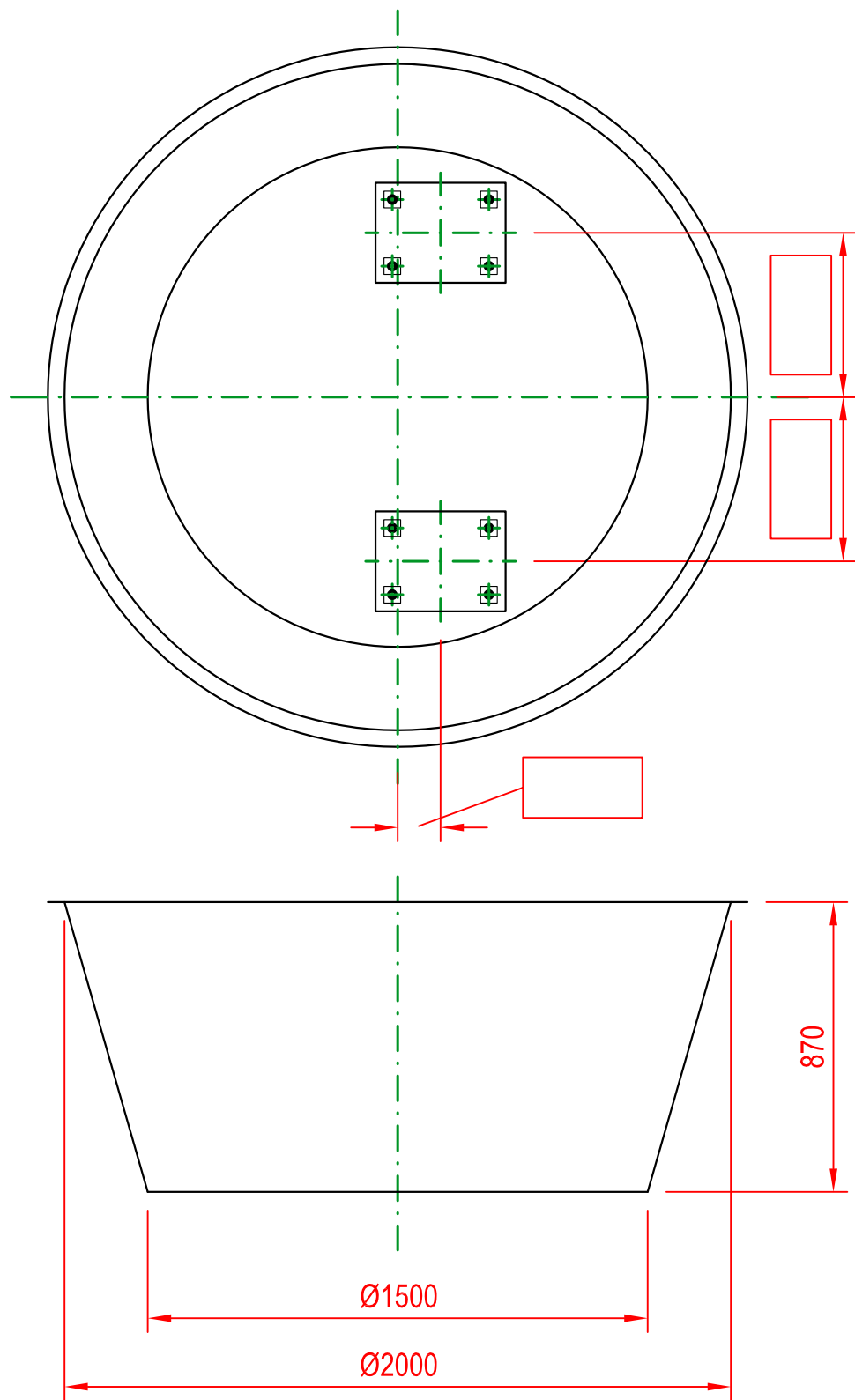
**PREDL®** pumping manhole  
DN 2000

**Typ 7**

Downloads under  
<http://www.predl.eu>

File format:  
Acrobat Reader 5.0 or superior





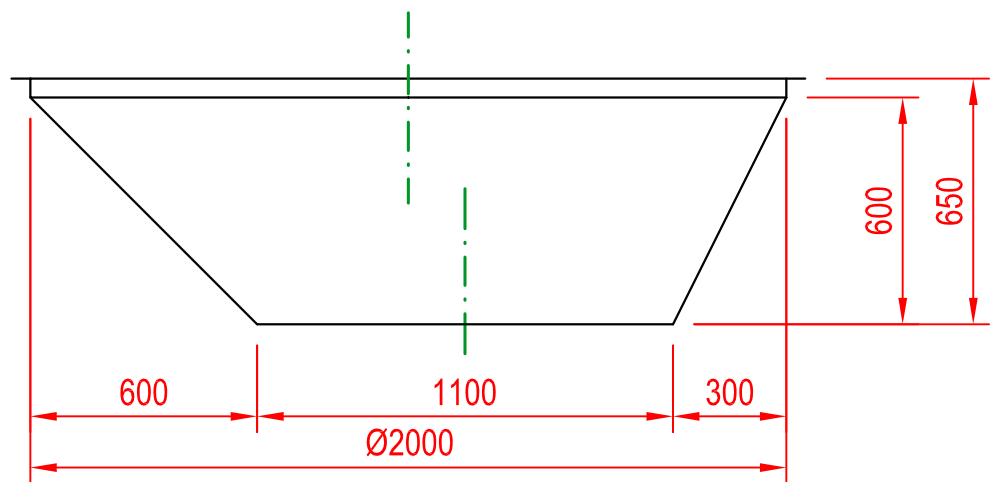
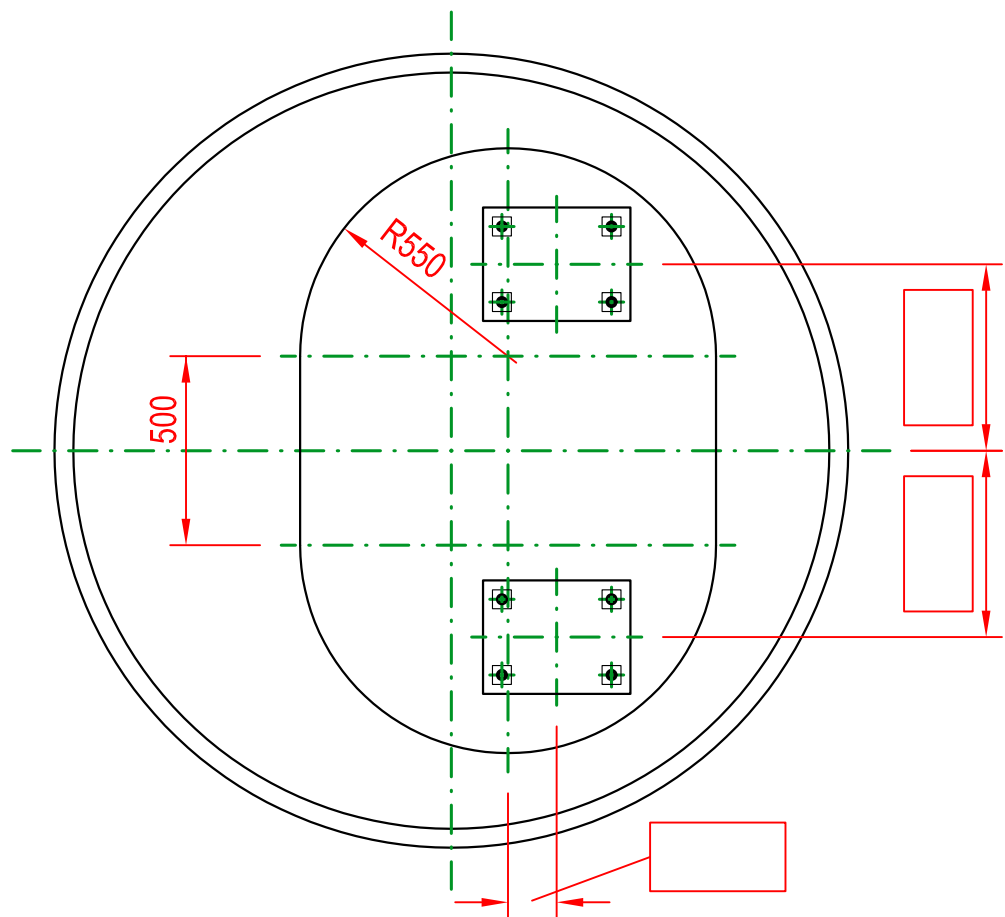
Subject to technical modifications



**PREDL<sup>®</sup> pumping manhole**  
**DN 2000**  
**kordes system**  
**Typ 8**

Downloads under  
<http://www.predl.eu>

File format:  
 Acrobat Reader 5.0 or superior



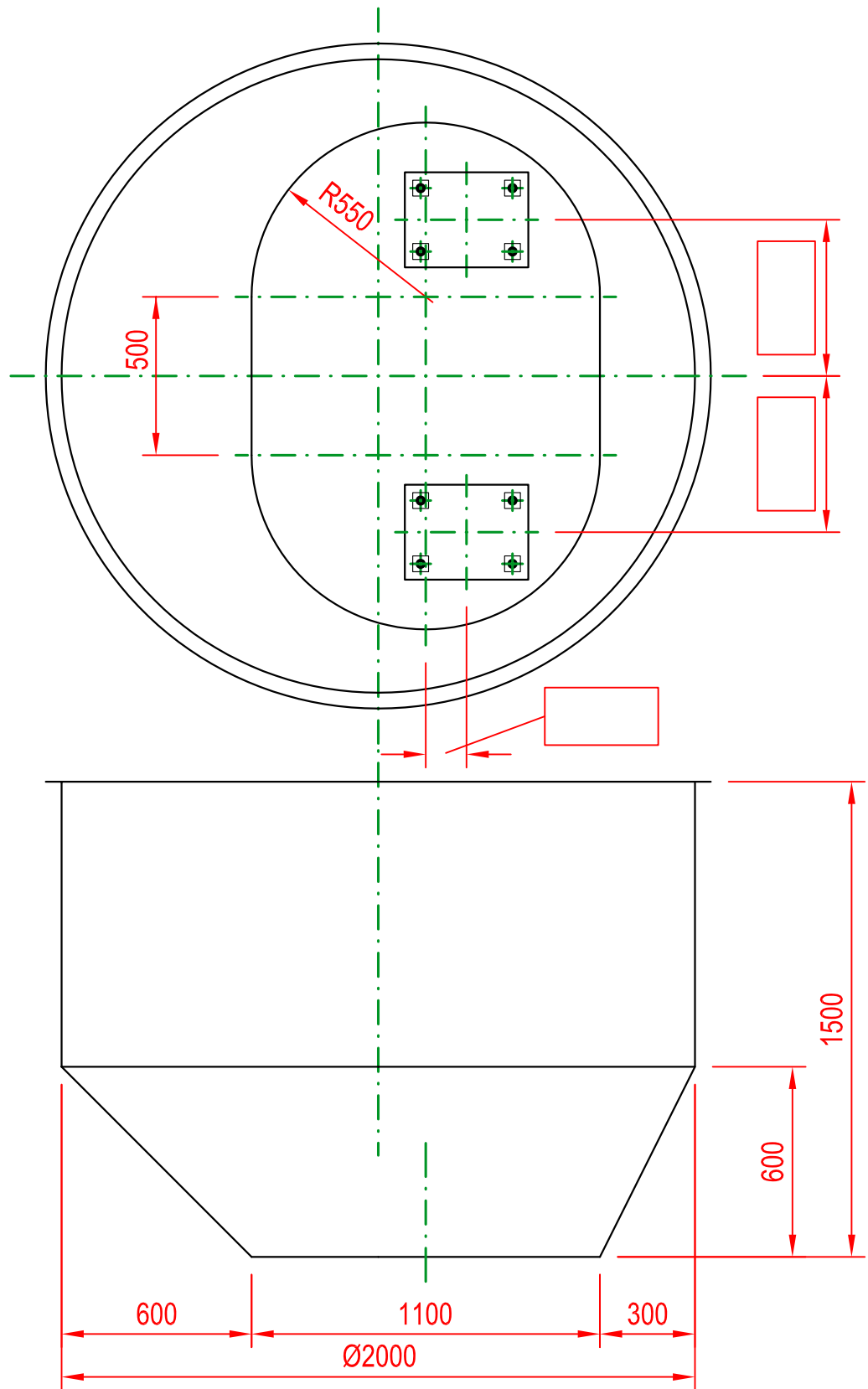
Subject to technical modifications



**PREDL®** pumping manhole  
**DN 2000**  
**SW system**  
**Typ 9**

Downloads under  
<http://www.predl.eu>

File format:  
 Acrobat Reader 5.0 or superior



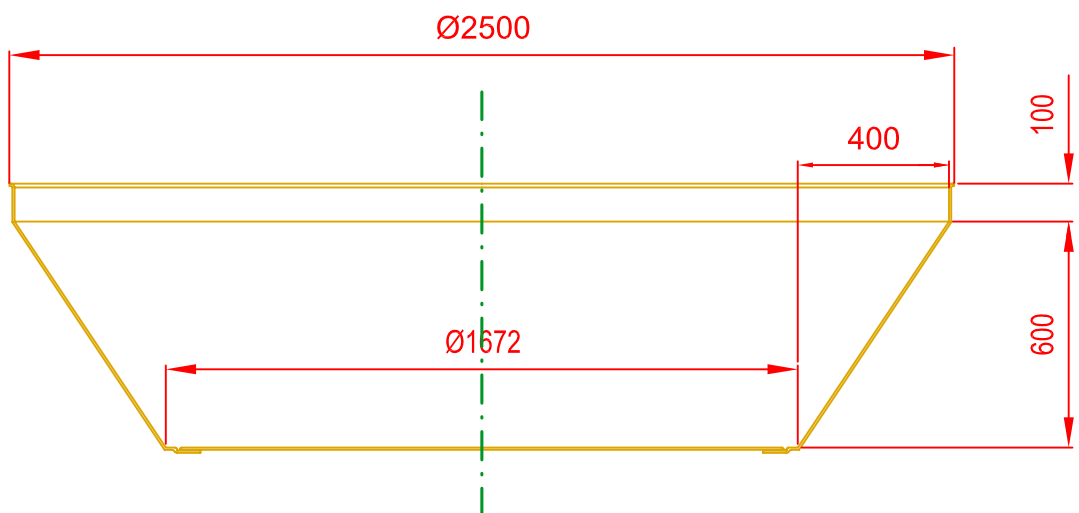
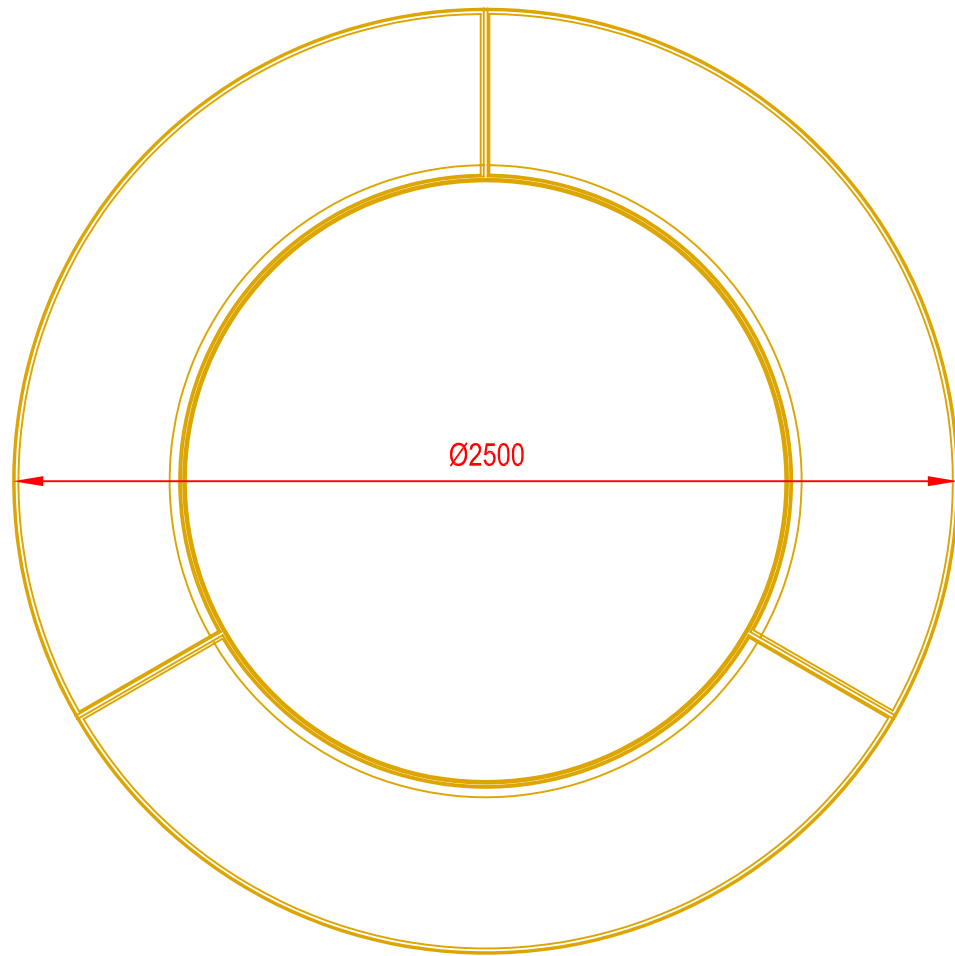
Subject to technical modifications



**PREDL<sup>®</sup> pumping manhole**  
**DN 2000**  
**SW system**  
**Typ 10**

Downloads under  
<http://www.predl.eu>

File format:  
 Acrobat Reader 5.0 or superior



Subject to technical modifications



**PREDL<sup>®</sup> pumping manhole**  
**DN 2500**  
**PREDL system**  
**Typ 11**

Downloads under  
<http://www.predl.eu>

File format:  
Acrobat Reader 5.0 or superior



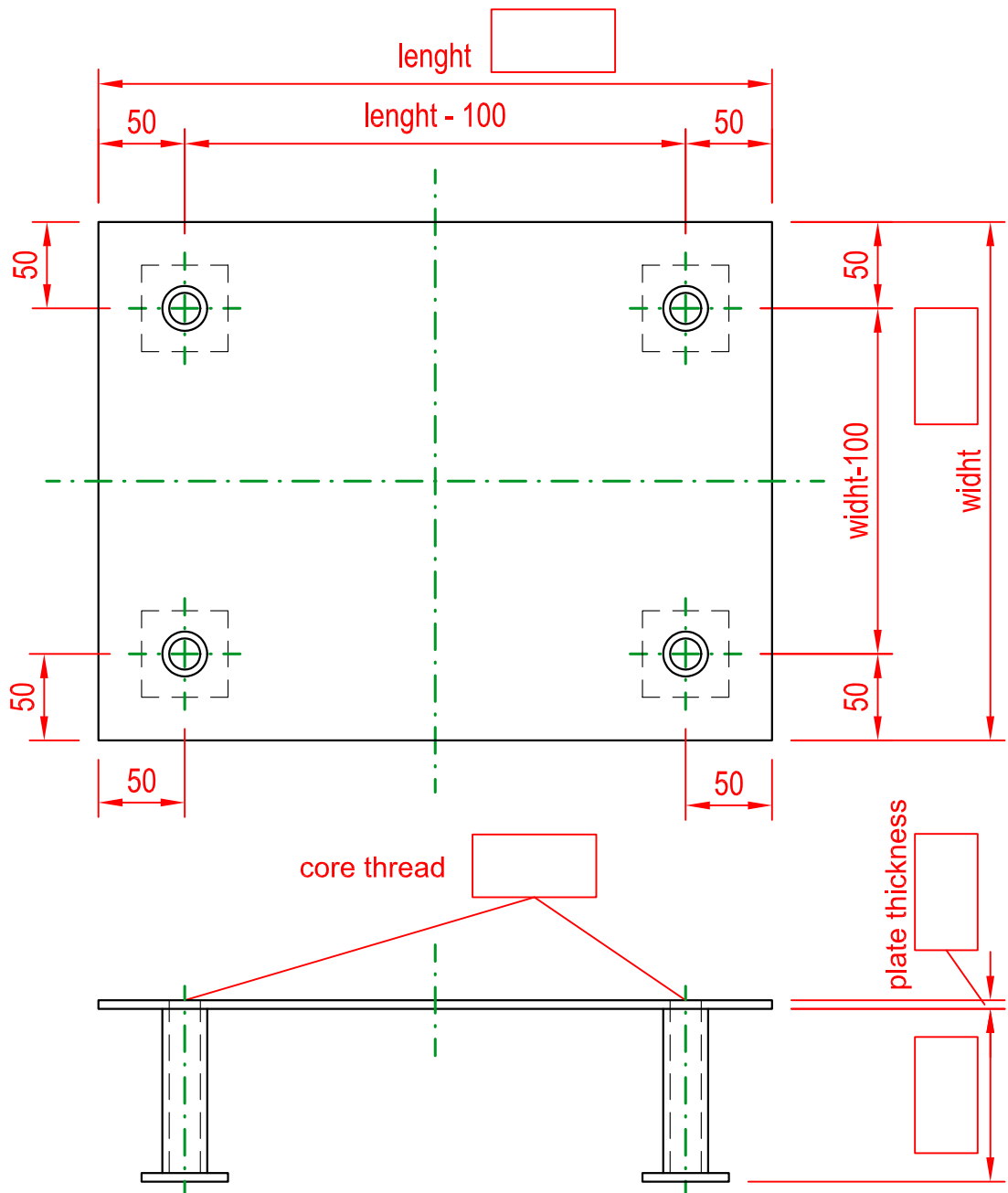
Subject to technical modifications



**PREDL®** pumping manhole  
restoration DN 2500  
PREDL system  
Typ 11

Downloads under  
<http://www.predl.eu>

File format:  
Acrobat Reader 5.0 or superior



Subject to technical modifications



**PREDL®** pumping manhole  
non rusting ground piece

Downloads under  
<http://www.predl.eu>

File format:  
Acrobat Reader 5.0 or superior

## ***Pumping manhole***

Delivery and installation of a finished monolithic (in one piece) concrete manhole pumping station base with a minimum concrete quality in accordance with the norm....  
Requirements for the plastic manhole liner : sewage water resistant plastic (GRP-UP) with efficient bonding bridges.

Material thickness: minimum. 4mm  
Product: Predl AUSTRIA Ges.m.b.H.  
Murbergstraße 80,  
A-8072 Fernitz  
Or equivalent

Subject to technical modifications



**PREDL®**  
**Pumping manhole**

Downloads under  
<http://www.predl.eu>

File format:  
Acrobat Reader 5.0 or superior