

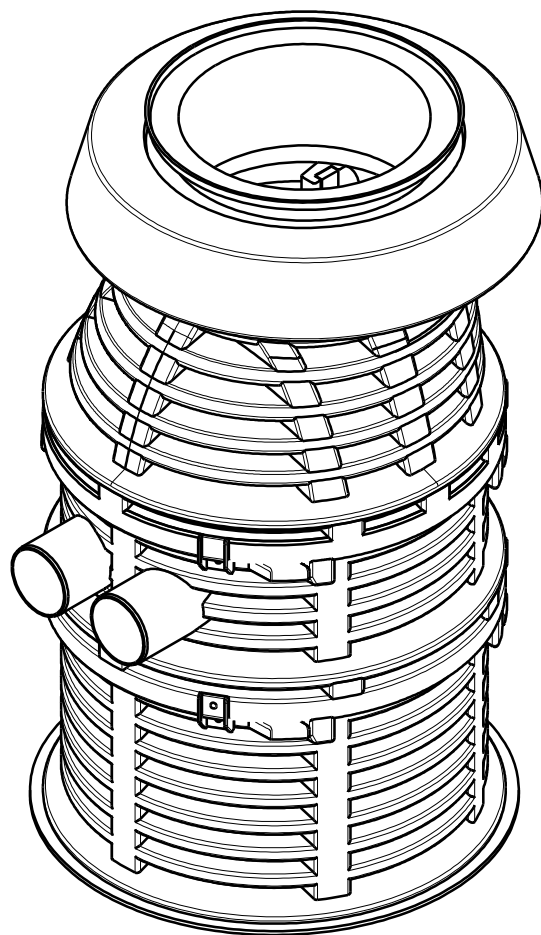
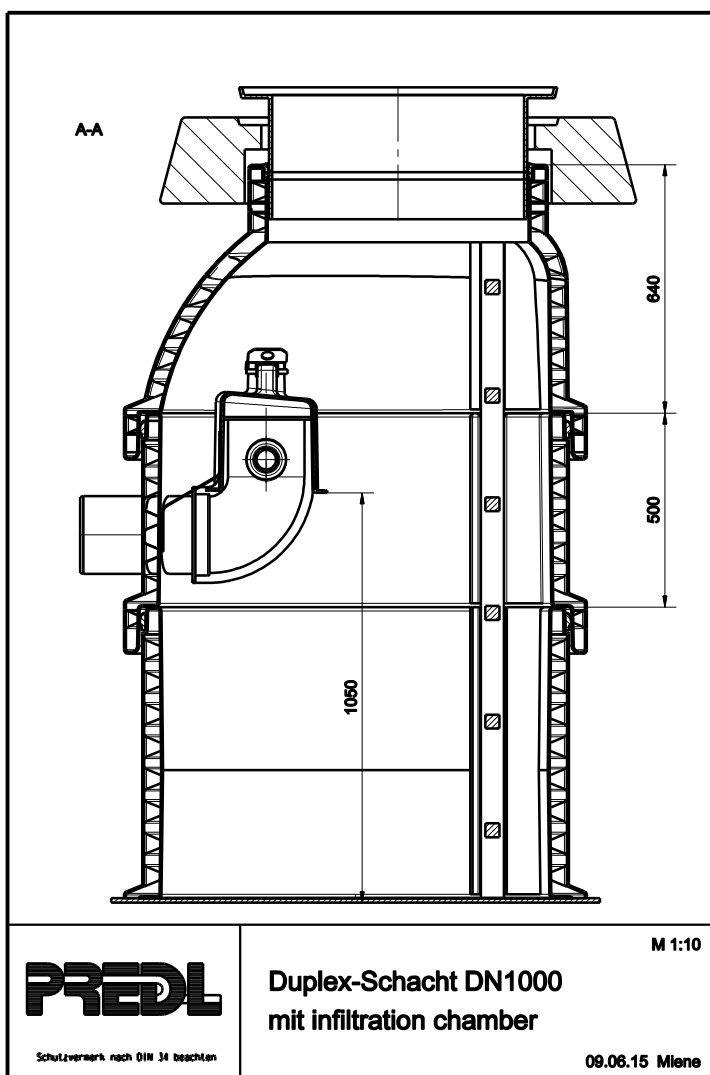
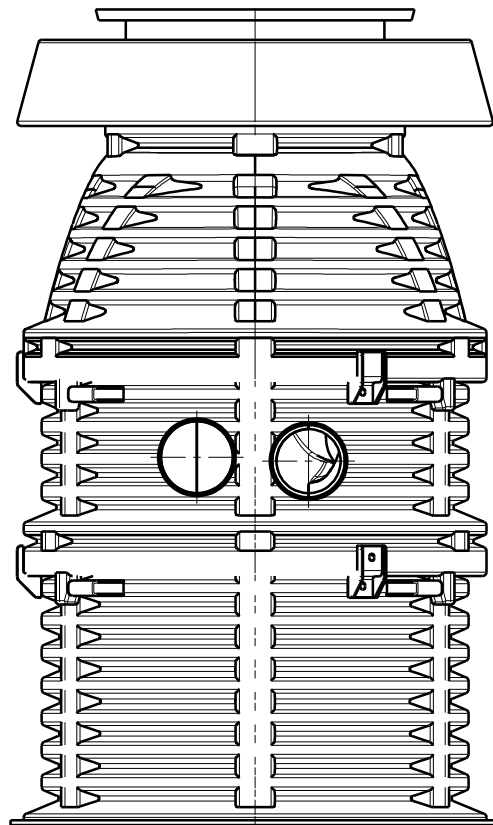
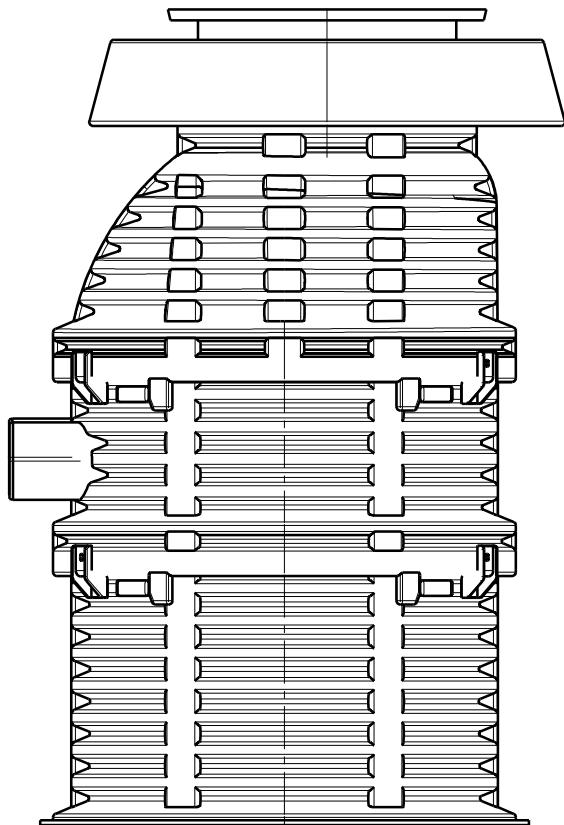
PREDL

Schutzvermerk nach DIN 34 beachten

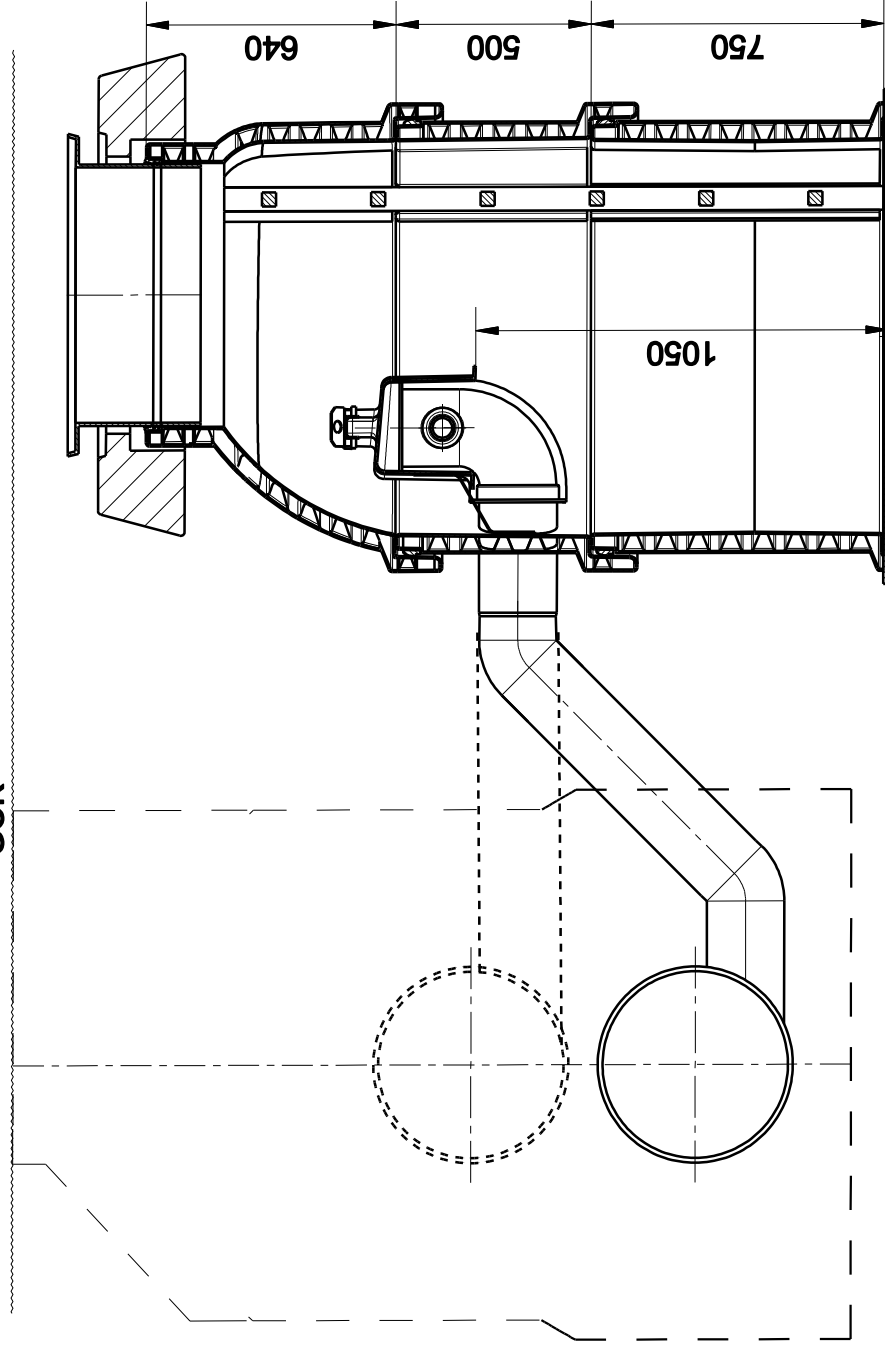
**Duplex-Schacht DN1000
mit infiltration chamber**

M 1:10

09.06.15 Miene



GOK



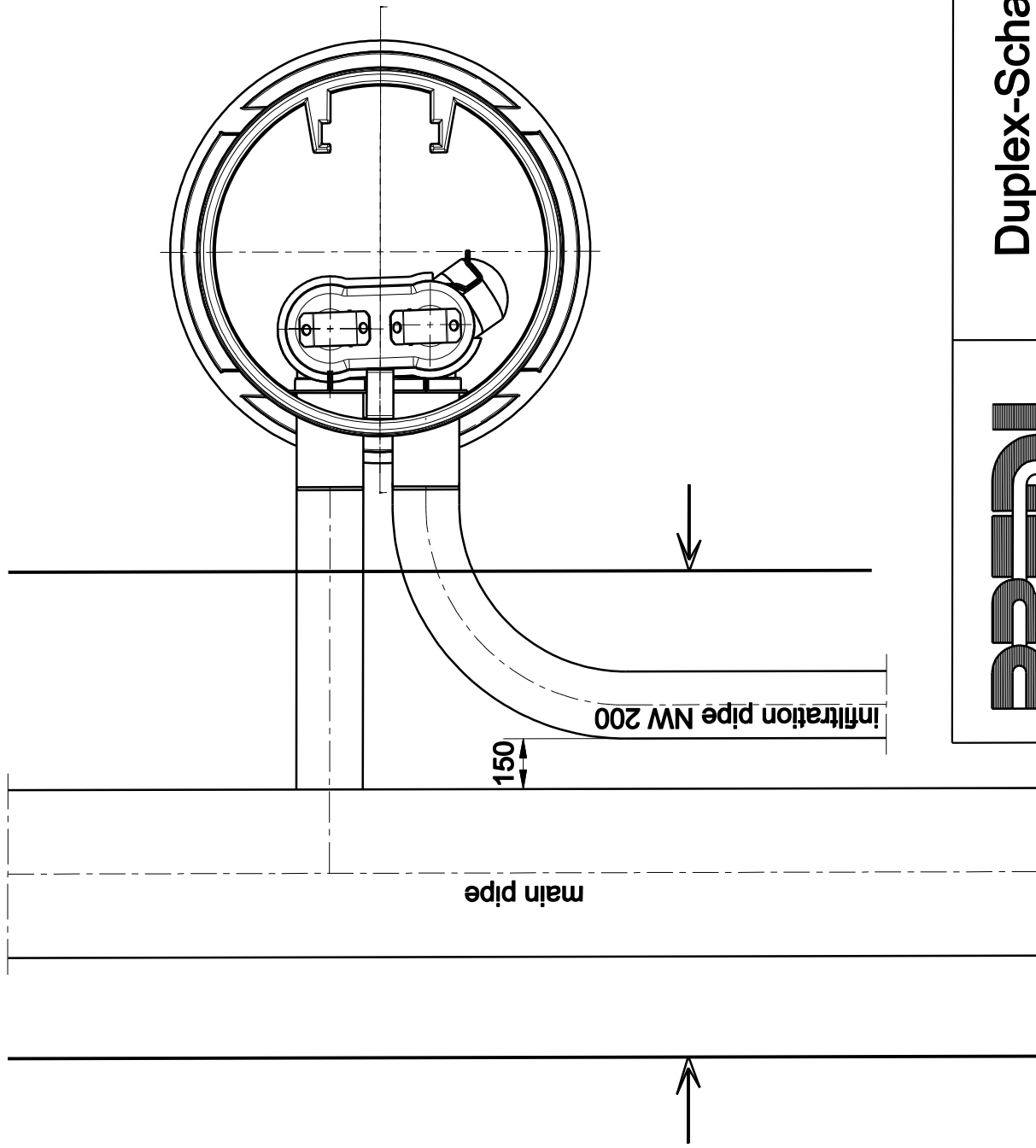
M 1:20

Duplex-Schacht DN1000 mit infiltration chamber

09.06.15 Miene

PREDL

Schutzvermerk nach DIN 34 beachten



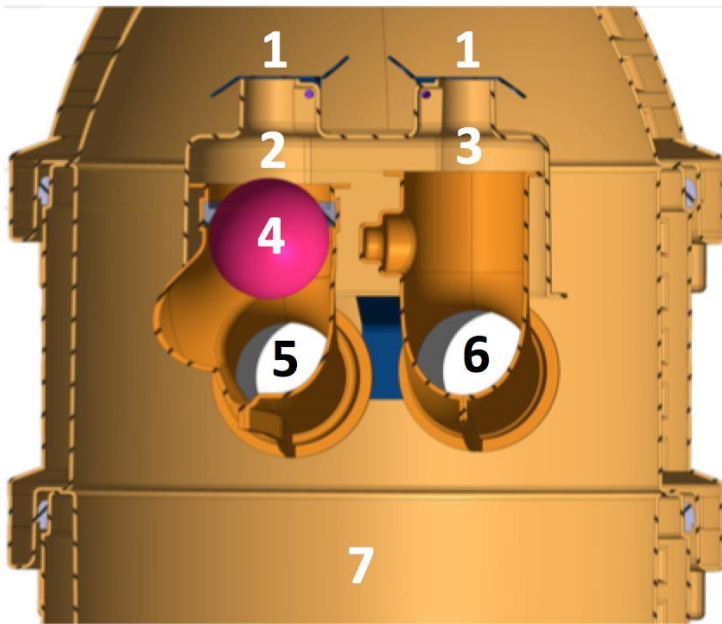
PREDEL

Schutzvermerk nach DIN 34 beachten

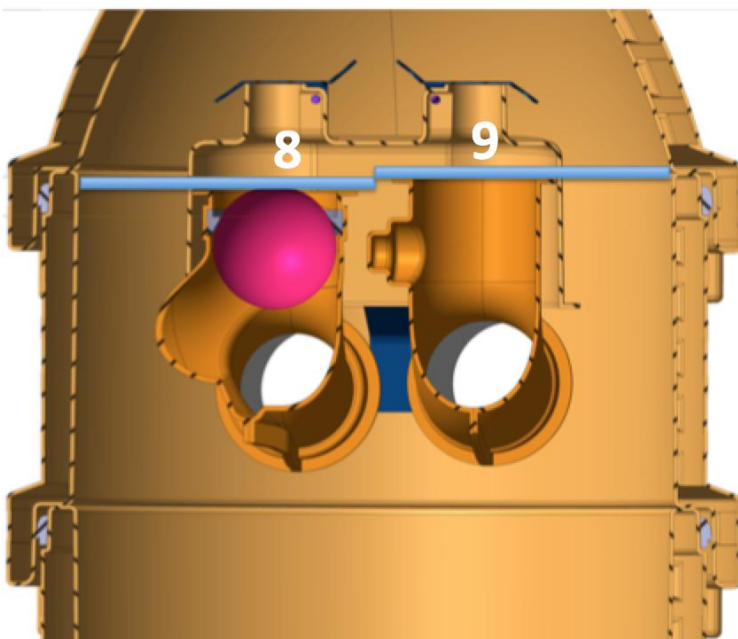
**Duplex-Schacht DN1000
mit infiltration chamber**

M 1:20

09.06.15 Miene



1. Maintains inlet
2. Outlet to infiltrations pipe
3. Outlet to main pipe for storm water
4. Ball in top position close the valve to infiltration pipe - and stop ground water from infiltration pipe to get in to manhole.



5. Infiltration pipe
6. Pipe to the main pipe for storm water.
7. Manhole/ gutter for stormwater.
8. Water level (8) – water go only to infiltration
9. Water level (9) – water go to the main pipe for storm water – and to infiltration if the valve (4) is open.

