

Subject to technical modifications



Minimum installation height

IPK 150
-diagram-

Downloads under

<http://www.predl.eu>

File format:
Acrobat Reader 5.0 or superior



Subject to technical modifications



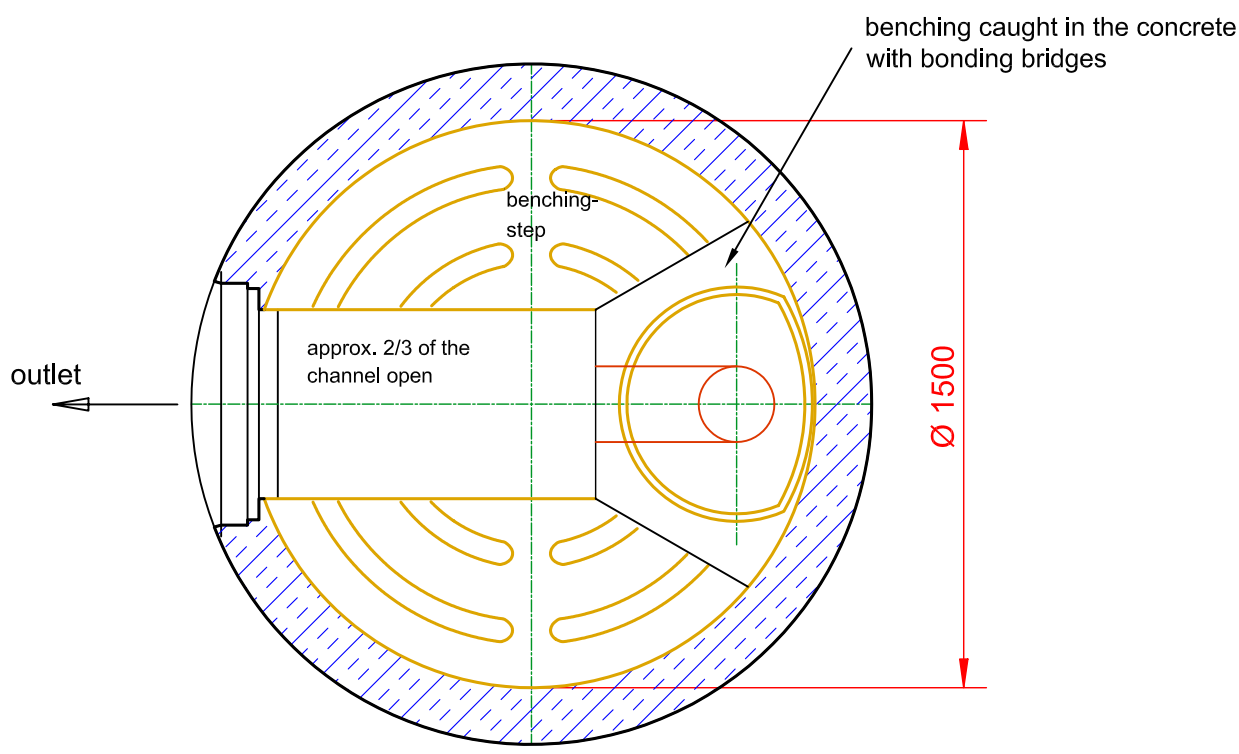
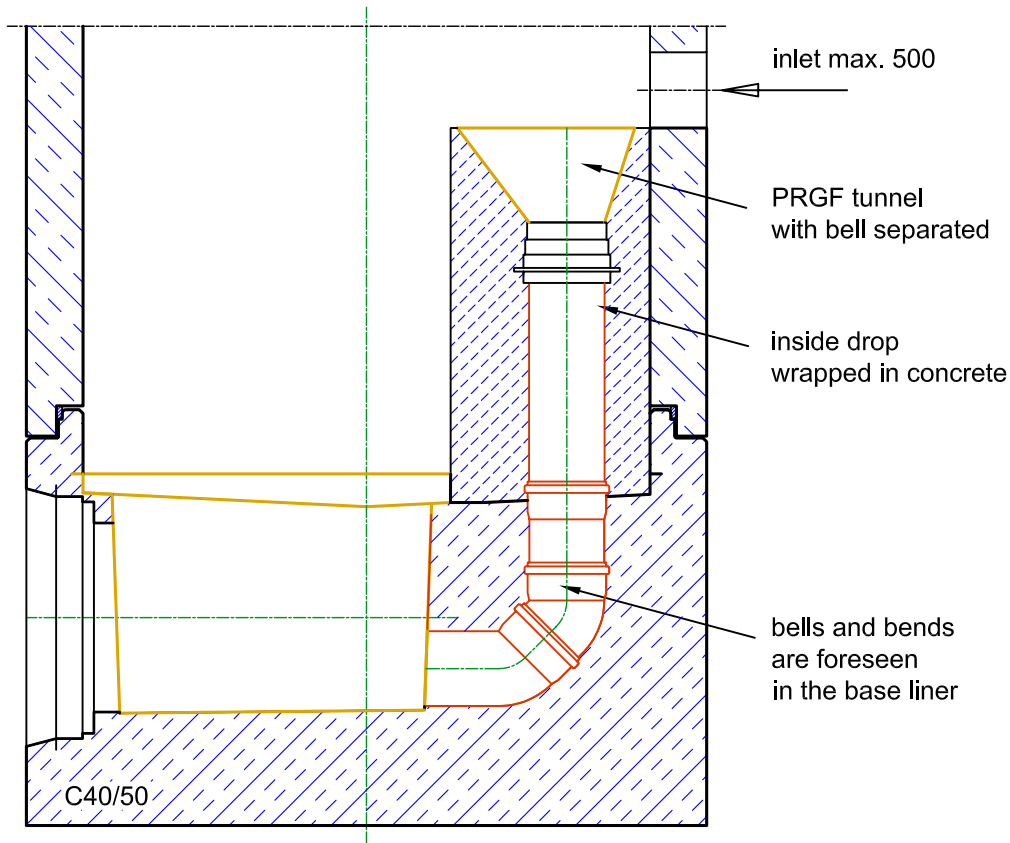
Minimum installation height

IPK 150

Downloads under

<http://www.predl.eu>

File format:
Acrobat Reader 5.0 or superior



changes possible



inside drop

PREDL® PRGF/PP base liner
with later added- on inside drop

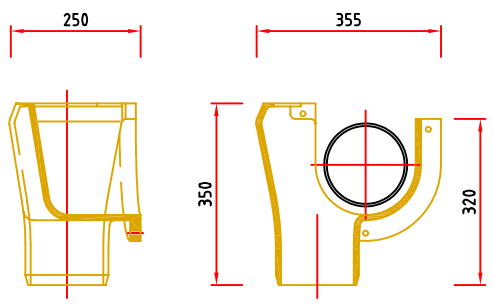
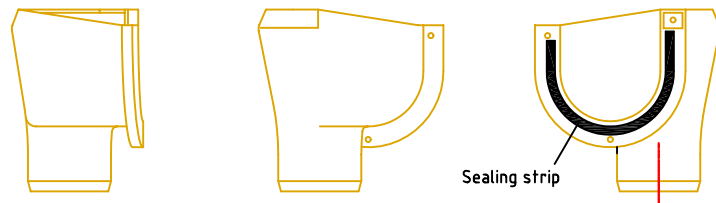
- diagram -

M 1:20

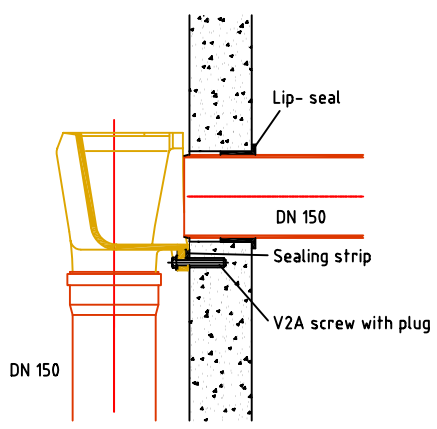
Downloads

<http://www.predl.eu>

file format
Acrobat Reader 5.0



Back drop DN 150



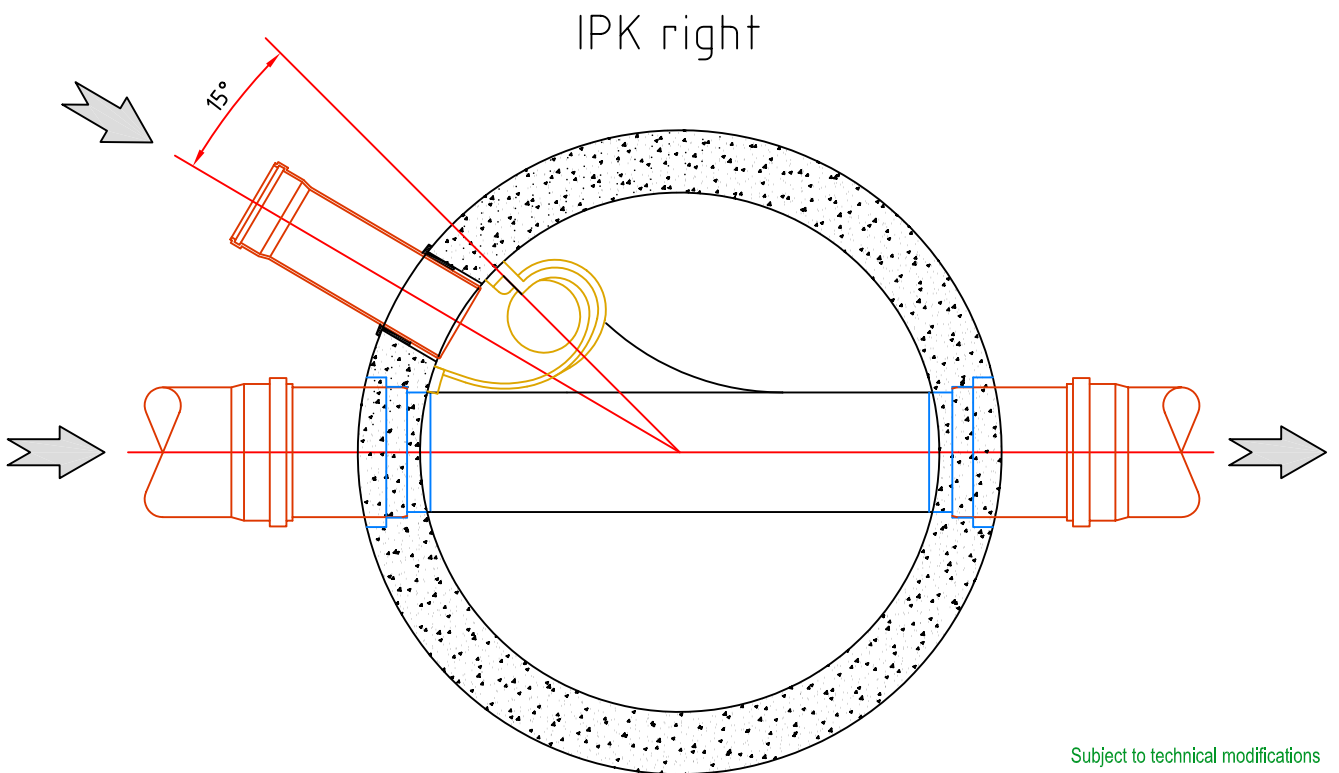
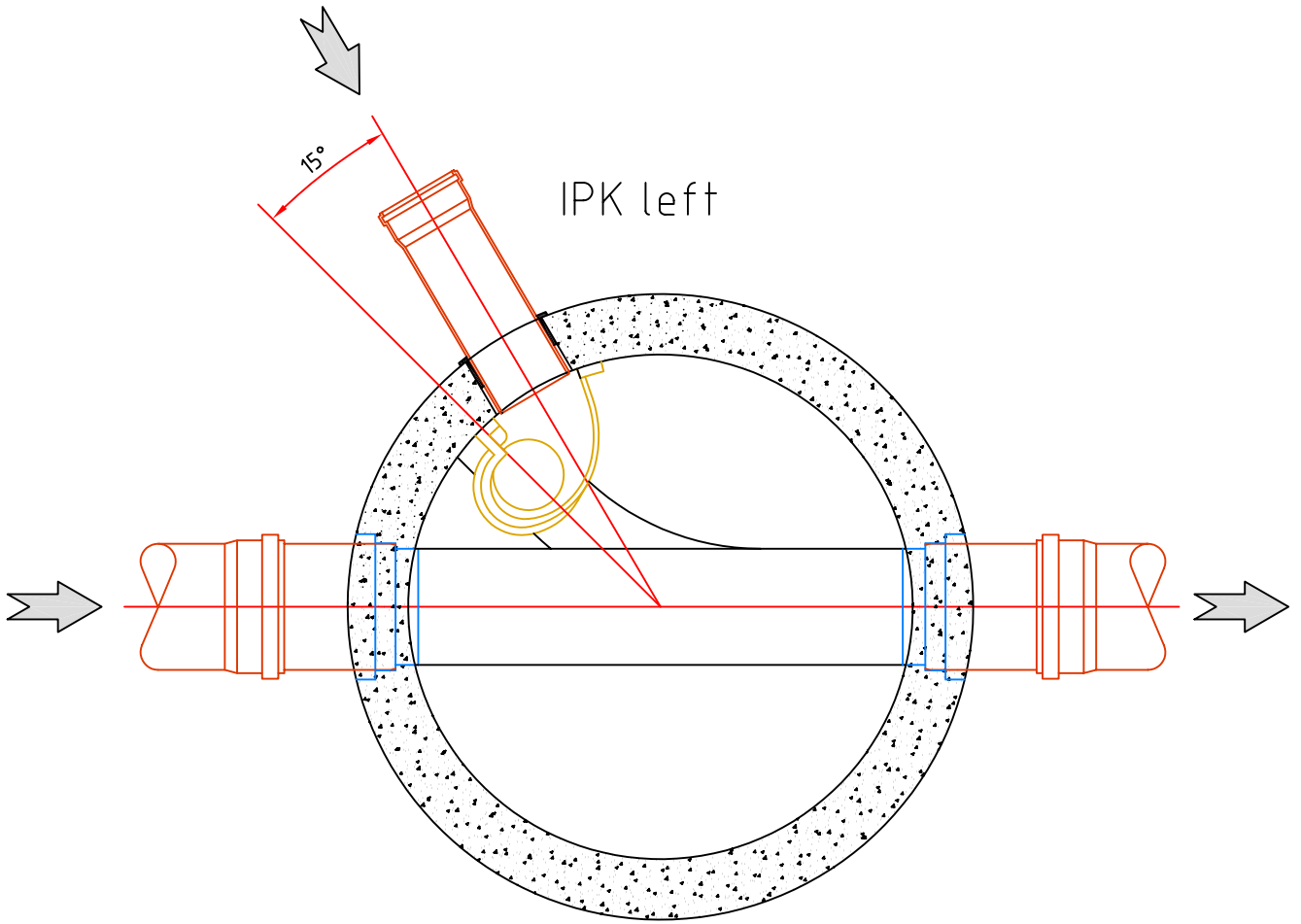
Subject to technical modifications



IPK
views

Downloads under
<http://www.predl.eu>

File format:
Acrobat Reader 5.0 or superior



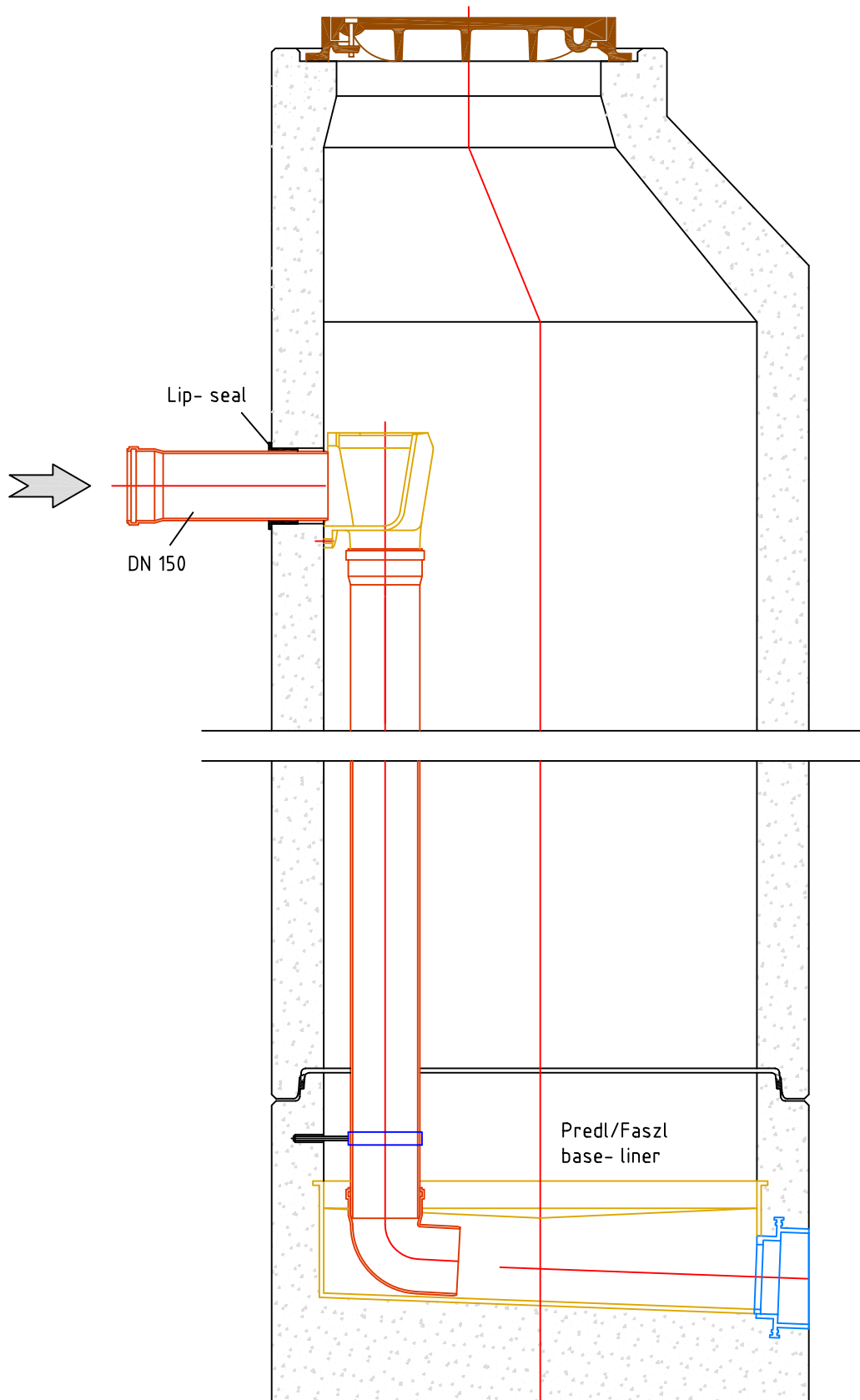
Subject to technical modifications



IPK left
IPK right

Downloads under
<http://www.predl.eu>

File format:
Acrobat Reader 5.0 or superior



Subject to technical modifications



IPK
-diagram-

Downloads under
<http://www.predl.eu>

File format:
Acrobat Reader 5.0 or superior



1

- Contents:**
- 1 piece IPK
 - 1 piece pipe clip including screw, washer and plastic plug
 - 1 piece pipe bend DN 150 PVC, 67°, With angle cut on one end
 - 3 pieces stainless steel screws M8x70
 - 3 pieces plastic plugs
 - 3 pieces stainless steel washers M8
 - 1 sealing strip roll 55cm

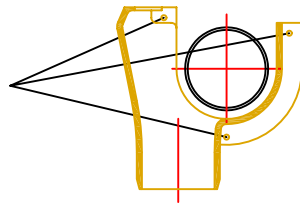
3

Insert the sealing strip in the foreseen groove of the IPK and press gently



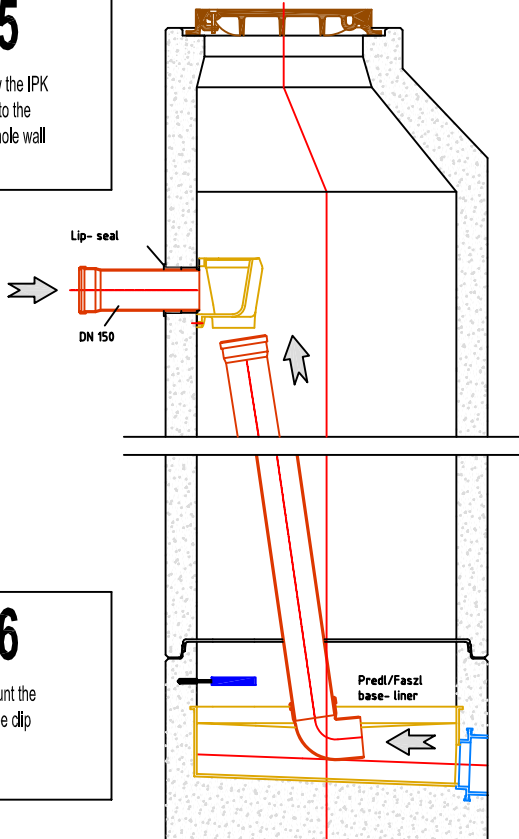
2

Hold IPK against the inside wall of the manhole and mark the fastening points. Drill the holes for the plugs.



5

Screw the IPK onto the manhole wall



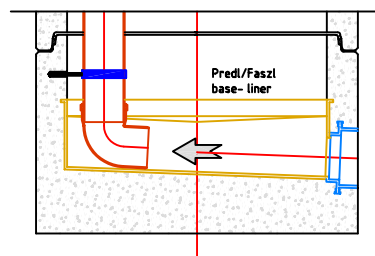
4

Take off the protective film



6

Mount the pipe clip



7

Insert the bend into the drop pipe and mount it together to the IPK close the pipe clip.

Subject to technical modifications



Mounting instructions

IPK

Downloads under

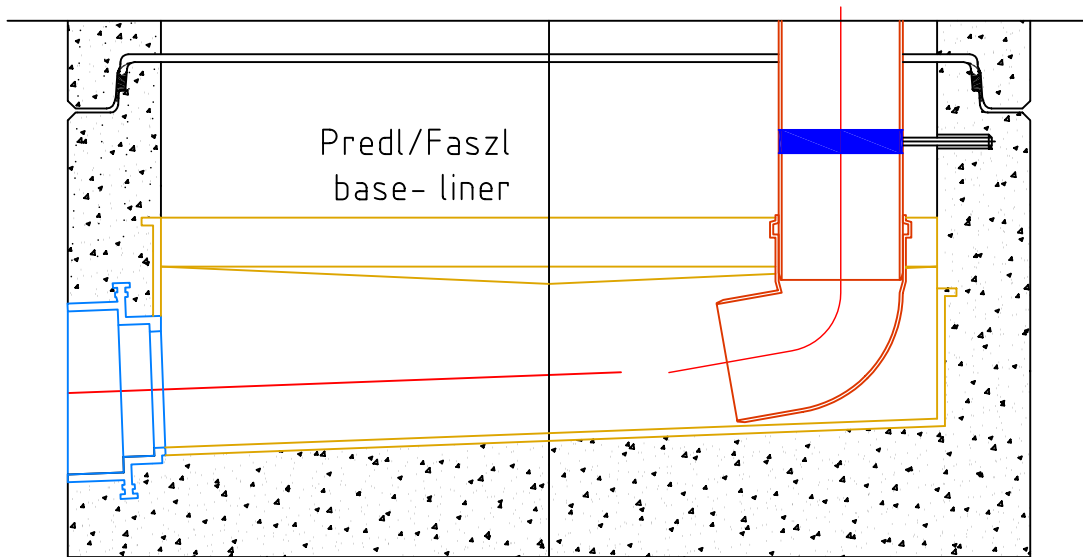
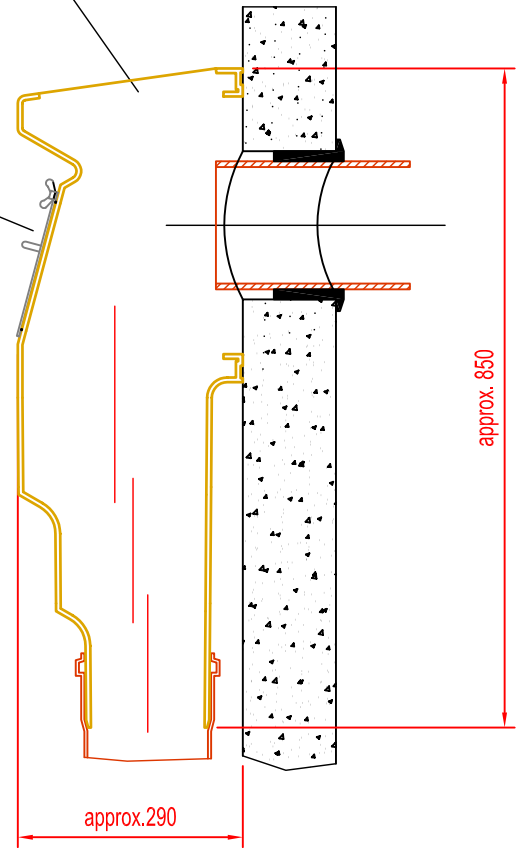
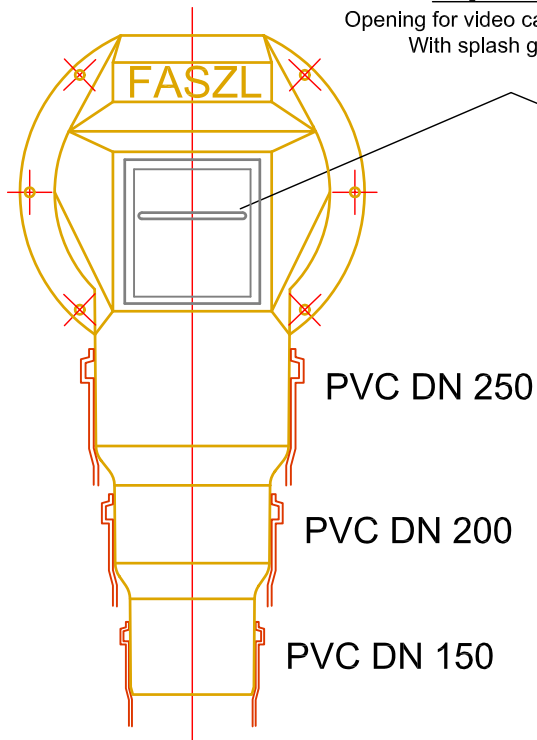
<http://www.predl.eu>

File format:
Acrobat Reader 5.0 or superior

Cleaning access

Option:

Opening for video camera access.
With splash guard lid



Subject to technical modifications



IPK 250
-diagram-

Downloads under
<http://www.predl.eu>

File format:
Acrobat Reader 5.0 or superior

1

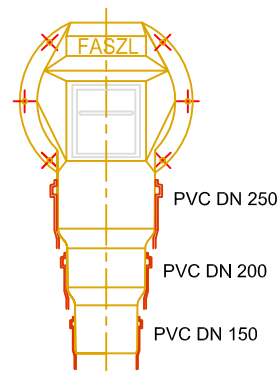


Contents:
 1 piece IPK 250
 6 pieces stainless steel screws M8x70
 6 pieces plastic plugs
 6 pieces stainless steel washers M8
 2 sealing strips roll 65cm

Optional:
 1 piece Stainless steel lid with handle
 for Video camera access carried
 out for splash-guard

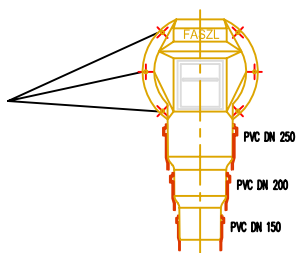
2

Cut the IPK according
 to the drop pipe which will be
 connected and grind the edge.



3

Hold IPK 250 against the inside wall
 of the manhole and mark the fastening points.
 Drill the holes for the plugs



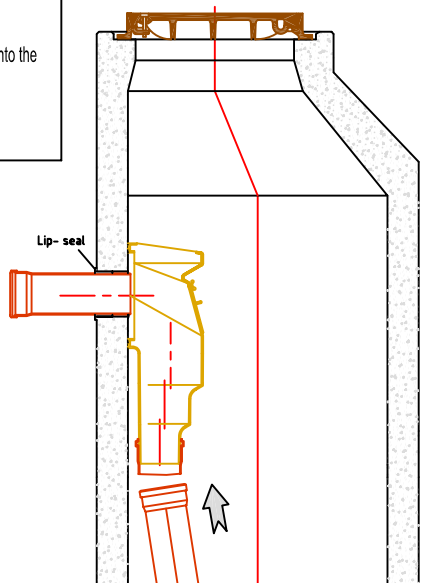
4

Insert the sealing strip into the
 foreseen groove of the IPK 250
 and press gently and take off the
 protective film.



5

Screw the IPK 250 onto the
 manhole wall



6

Mount the drop pipe

Subject to technical modifications



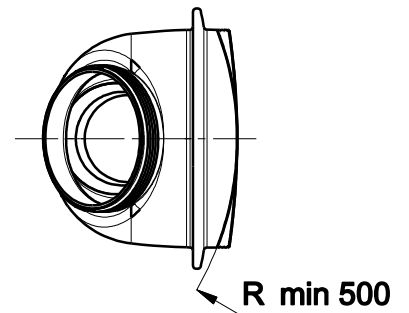
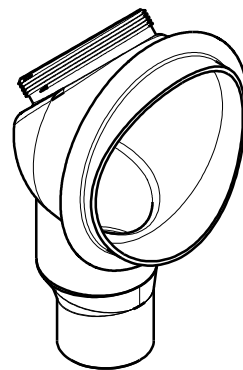
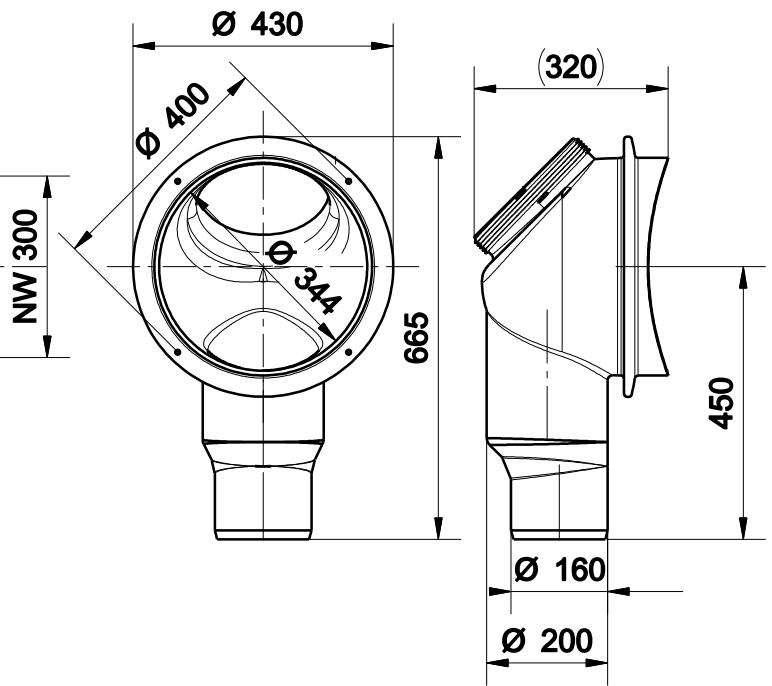
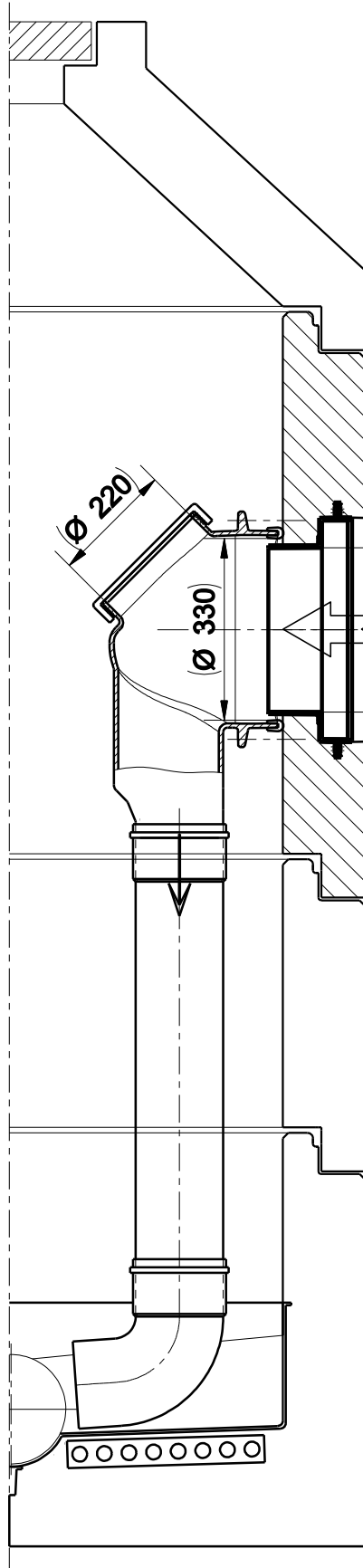
Mounting instructions

IPK 250

Downloads under

<http://www.predl.eu>

File format:
 Acrobat Reader 5.0 or superior



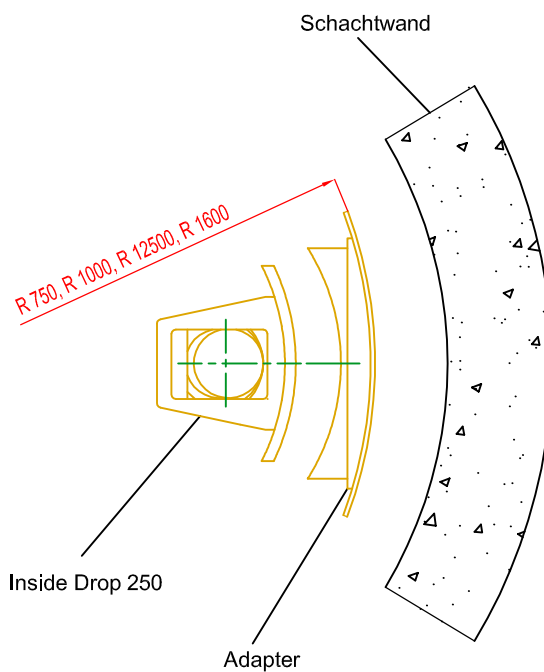
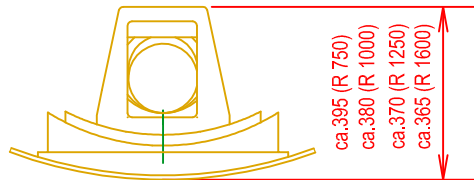
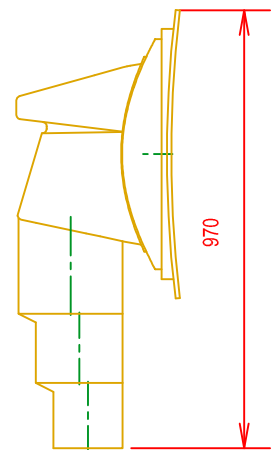
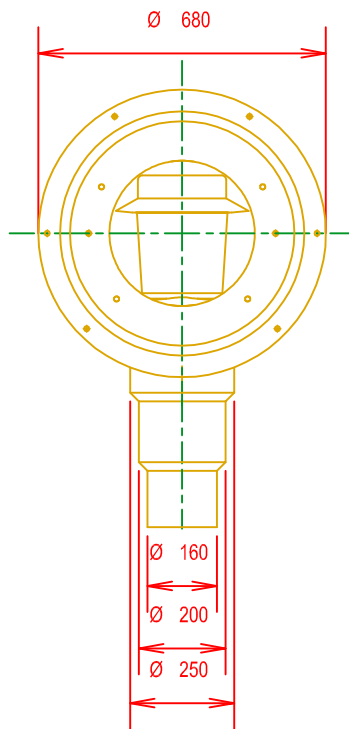
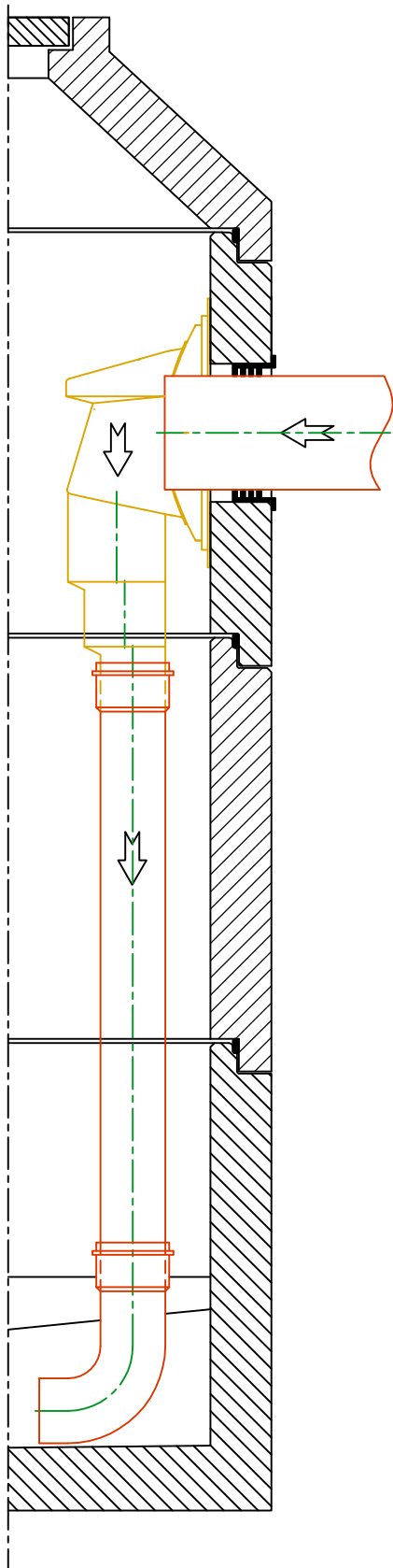
R - Schnitt nach
Kundenwunsch

PREDL

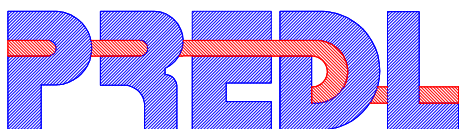
Schutzvermerk nach DIN 34 beachten

Innenliegender Absturz
 PREDL - inside drop
 Zulauf mit Schachtfutter

24.08.15 Miene



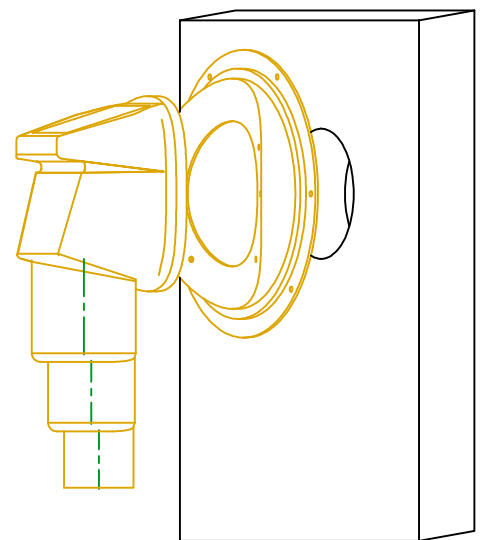
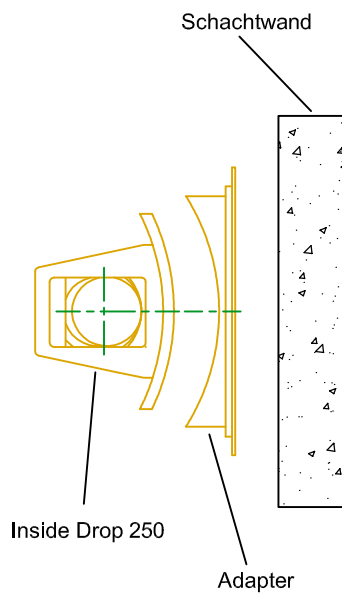
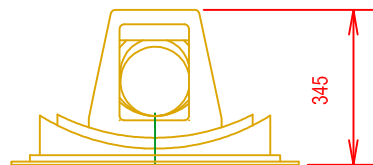
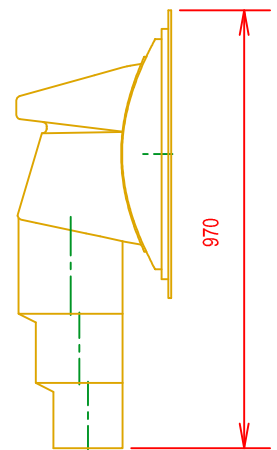
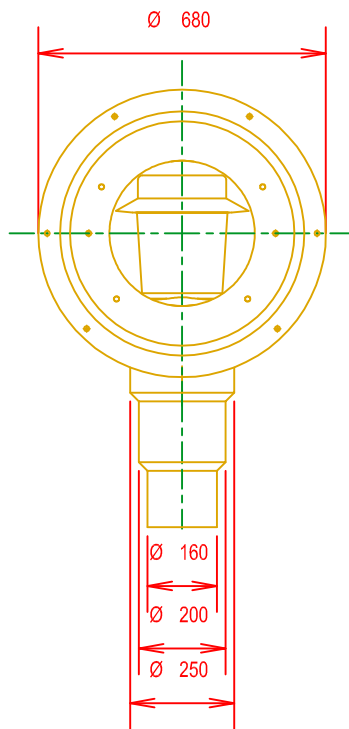
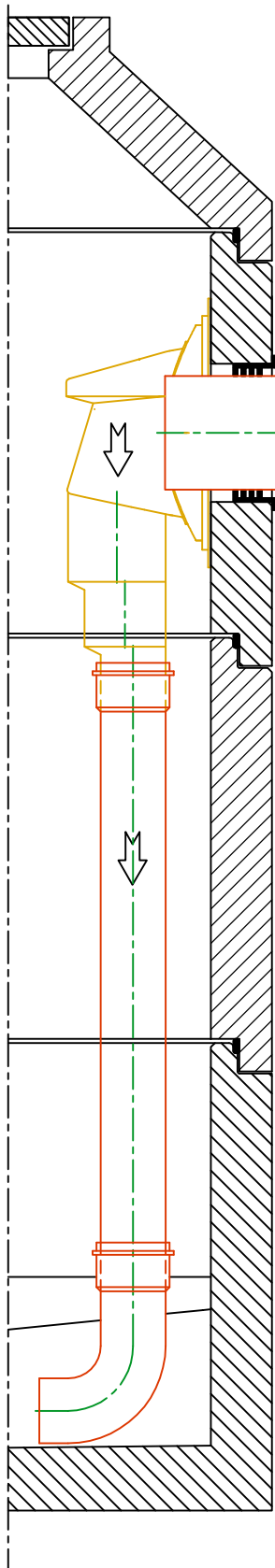
technische Änderungen vorbehalten



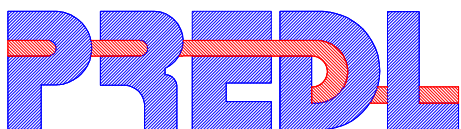
Inside Drop 250
mit Adapter
für runde Schachtwand

Downloads unter
<http://www.predl.eu>

Dateiformat:
Acrobat Reader 5.0 oder höher



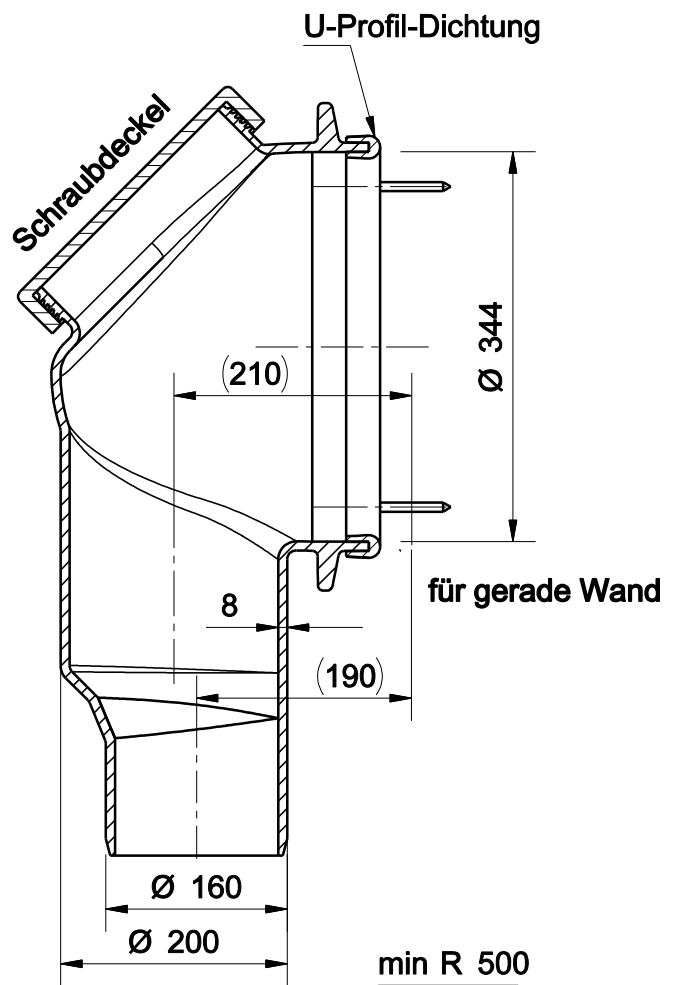
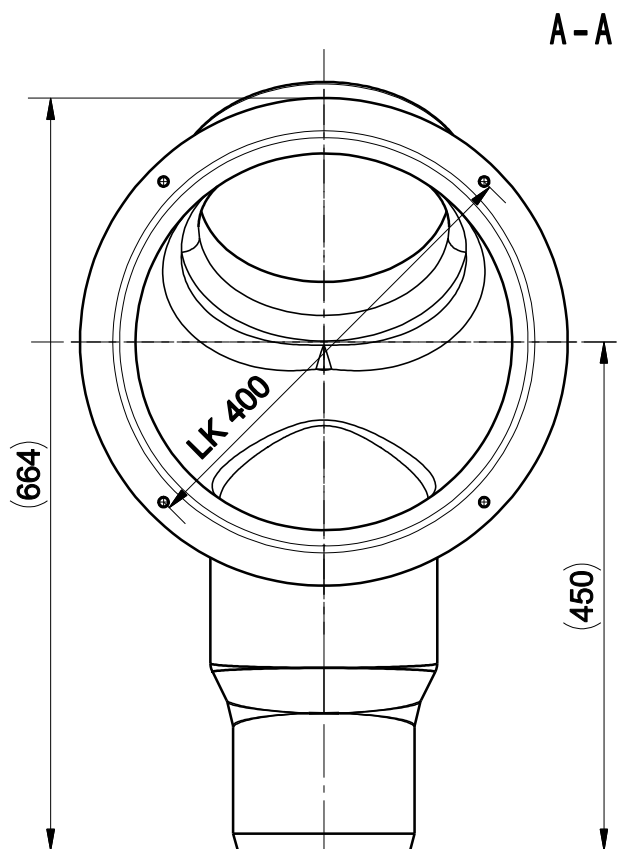
technische Änderungen vorbehalten



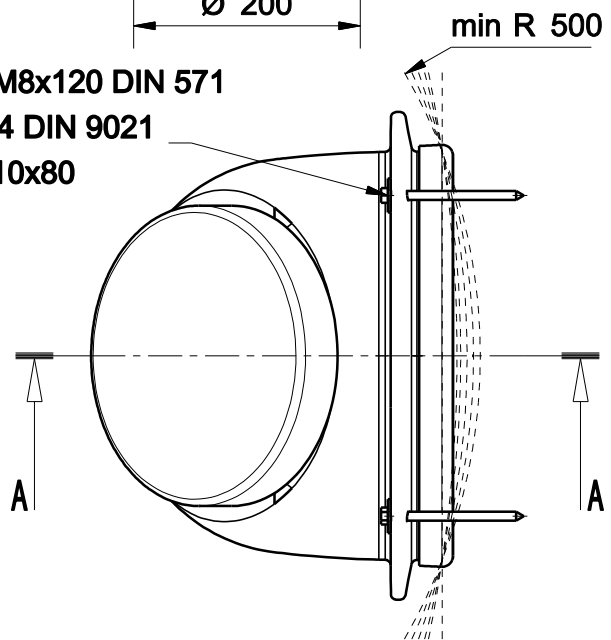
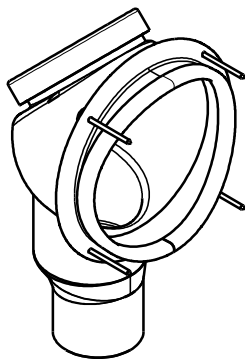
Inside Drop 250
mit Adapter
für gerade Schachtwand

Downloads unter
<http://www.predl.eu>

Dateiformat:
Acrobat Reader 5.0 oder höher



Schraube M8x120 DIN 571
 Scheibe 8,4 DIN 9021
 Dübel SX 10x80



R = Schnitt nach
 Kundenwunsch

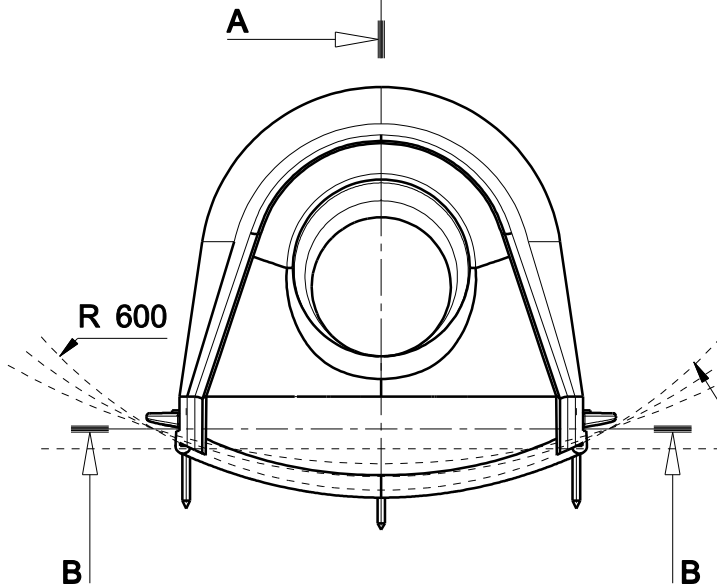
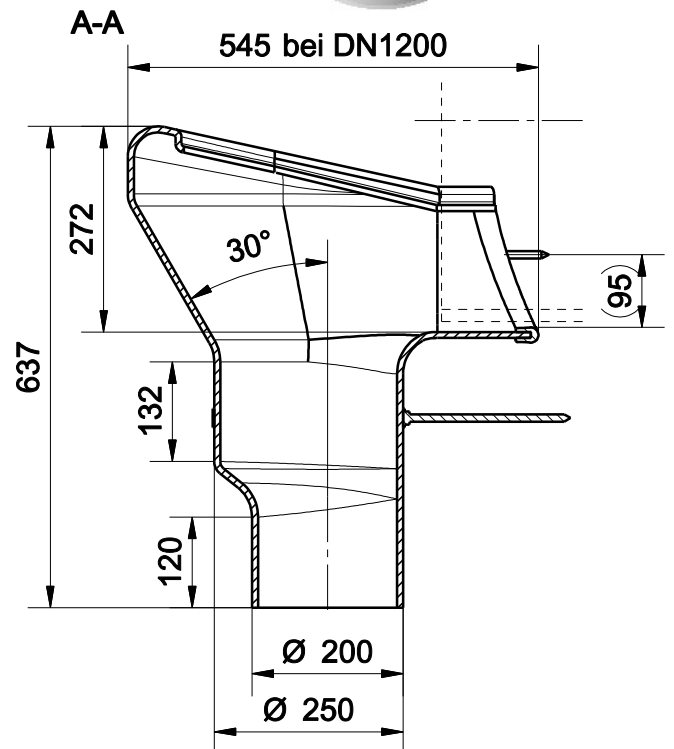
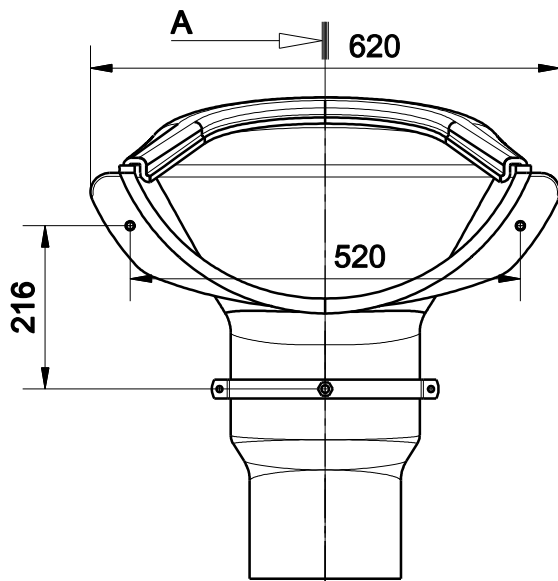
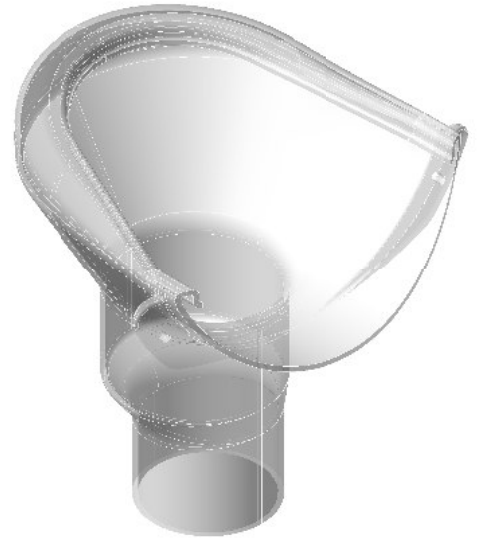
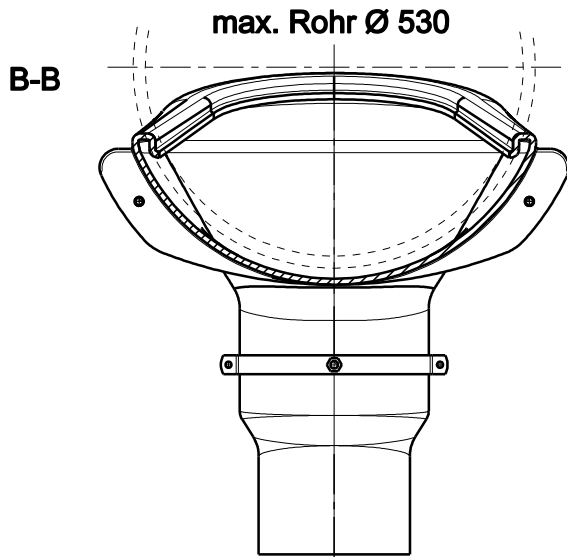
Material PE natur

PREDL

Schutzvermerk nach DIN 34 beachten

**PREDL-inside drop 200
 mit Zubehör**

24.05.13 Miene



Zubehör:

- U-Dichtung L=710
- Rohrschelle Ø250 mit Stockschraube
- 2 Stück Schraube M10x120 DIN 571
- 2 Stück Scheibe 10,5 DIN 9021
- 3 Stück Dübel SX 12x70

Schnitt nach Kundenwunsch
R min. 600 bis gerade Wand

PREDL

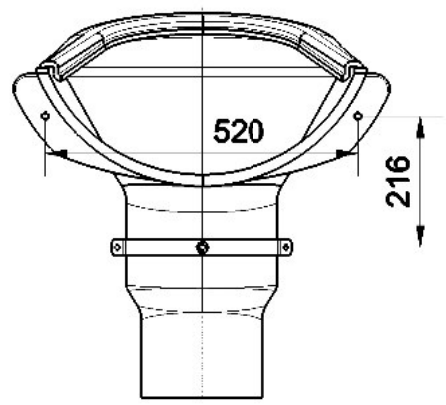
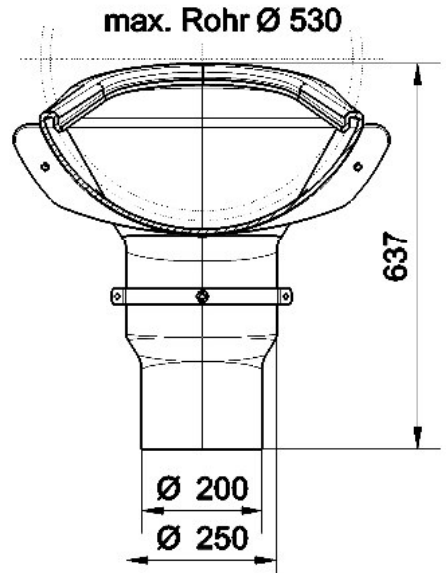
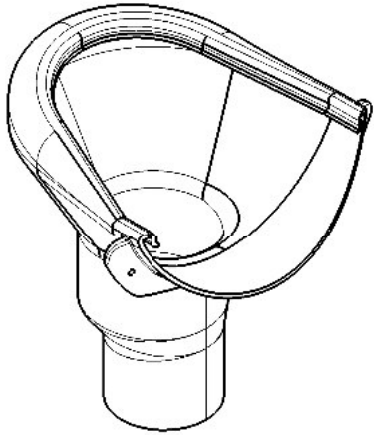
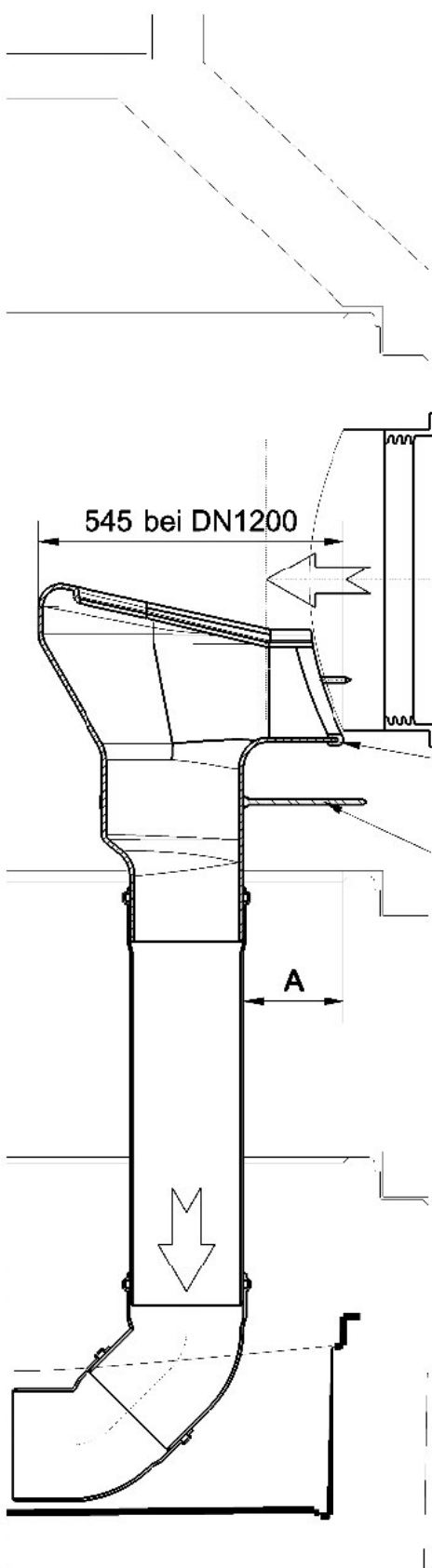
Schutzvermerk nach DIN 34 beachten

Material PE

M 1:10

inside funnel 500
innenliegender Absturz

20.09.16 Miene

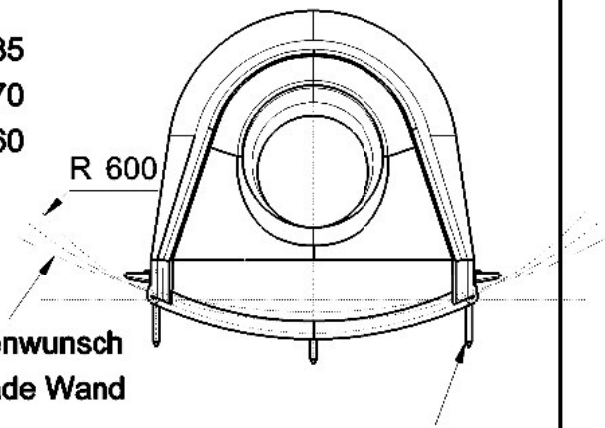


Zulauf
max. NW500

U-Profil-Dichtung
Rohrschelle Ø 250
mit Stockschraube M10

Mass A:
gerade Wand = 120
Schacht Ø1200 = 185
Schacht Ø1500 = 170
Schacht Ø2000 = 160

Schnitt nach Kundenwunsch
R min. 600 bis gerade Wand



Schraube M10x120 DIN 571
Scheibe 10,5 DIN 9021
Dübel SX 12x70



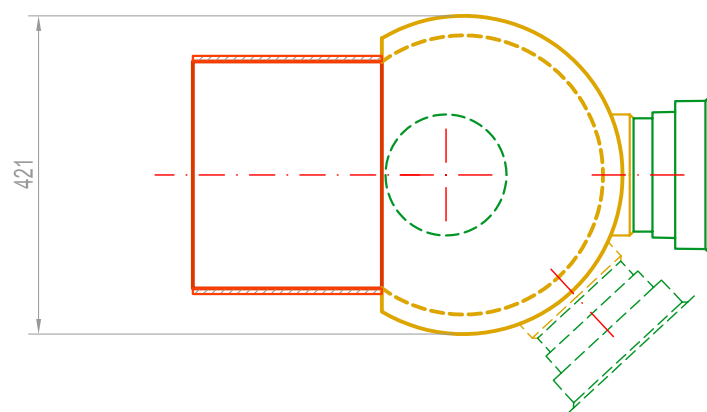
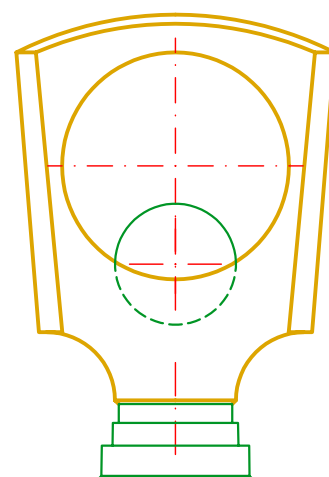
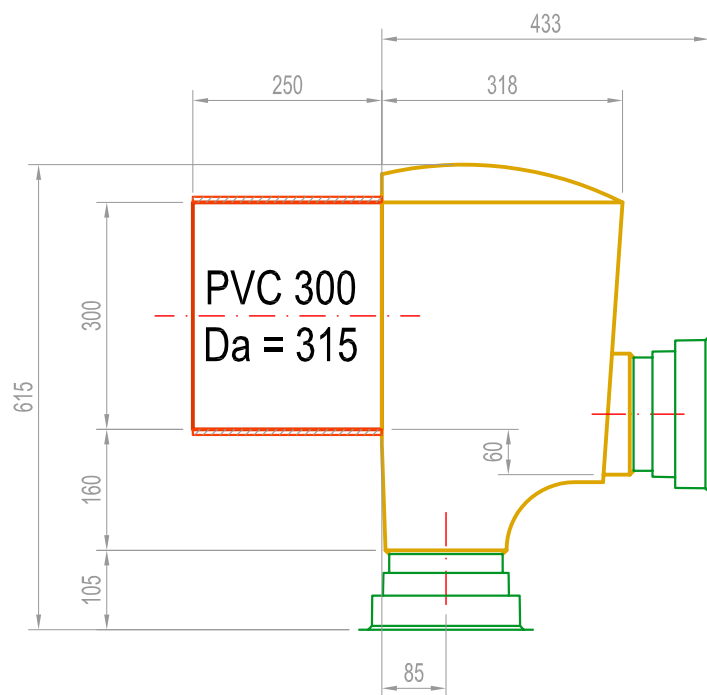
Schutzvermerk nach DIN 34 beachten

innenliegender Absturz
inside funnel 500

M 1:12,5

11.10.16 Miene

DN 150 / 150



All dimensions of the parts are inside dimensions
Tolerance +/- 10mm

Subject to technical modifications

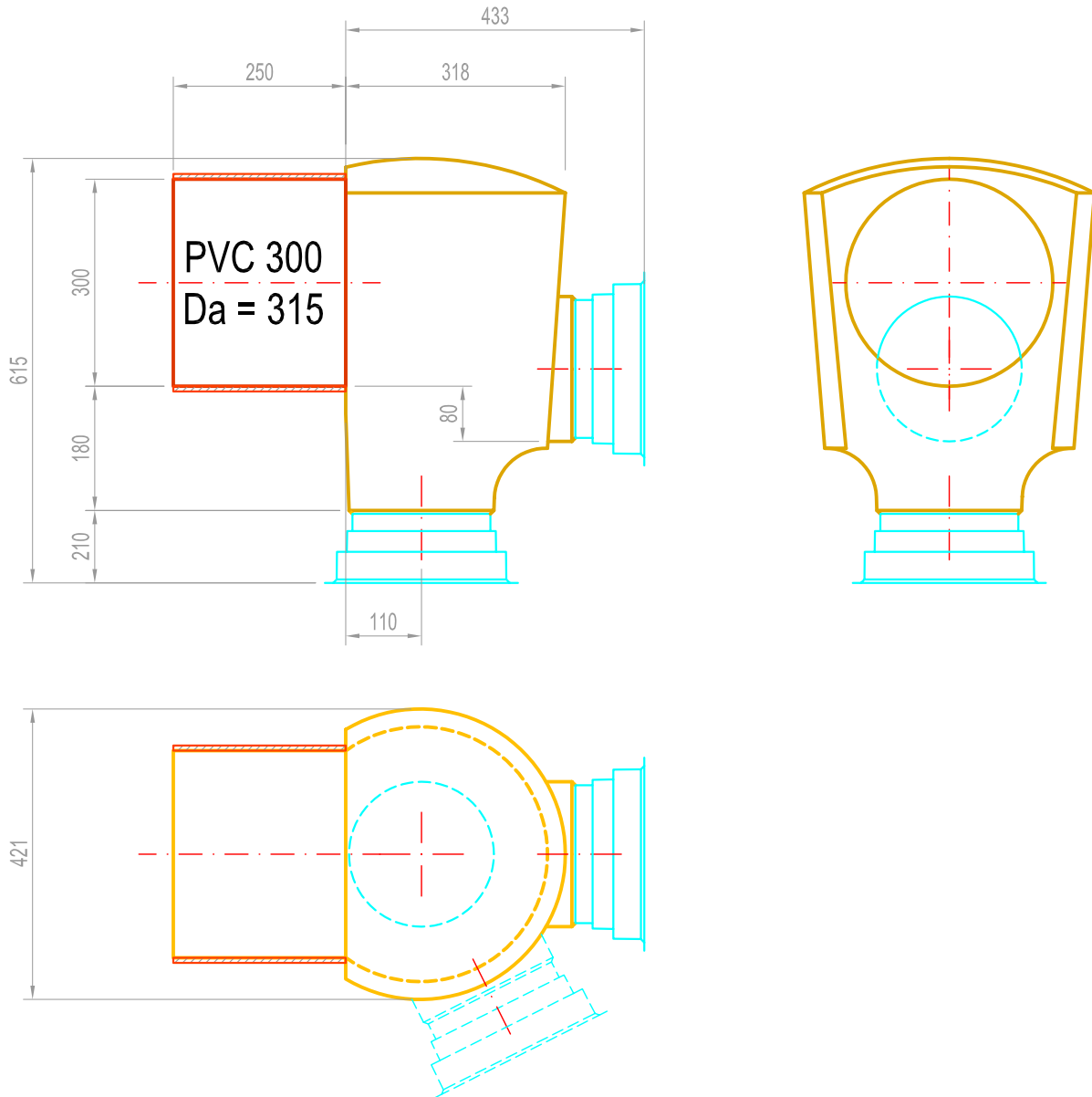


Pipe Head drop
Inlet DN 150
Outlet DN 150

Downloads under
<http://www.predl.eu>

File format:
Acrobat Reader 5.0 or superior

DN 200 / 200



All dimensions of the parts are inside dimensions
Tolerance +/- 10mm

Subject to technical modifications

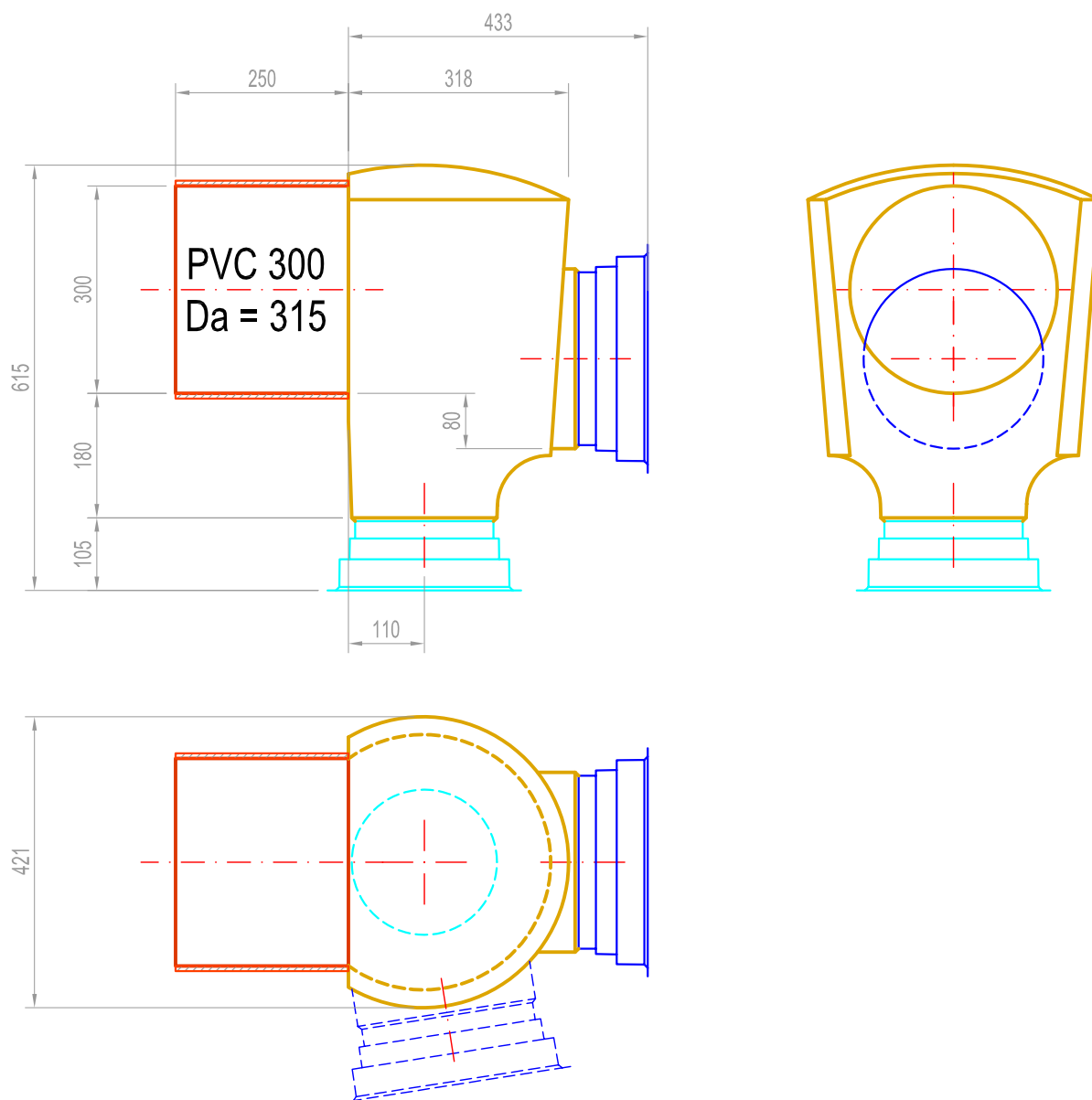


Pipe Head drop
Inlet DN 200
Outlet DN 200

Downloads under
<http://www.predl.eu>

File format:
Acrobat Reader 5.0 or superior

DN 200 / 250



All dimensions of the parts are inside dimensions
Tolerance +/- 10mm

Subject to technical modifications

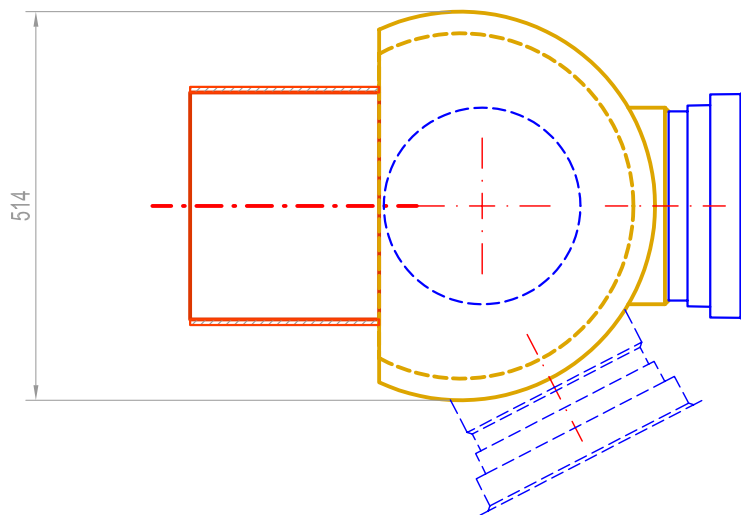
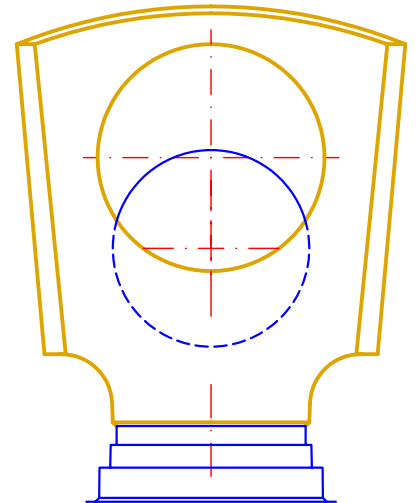
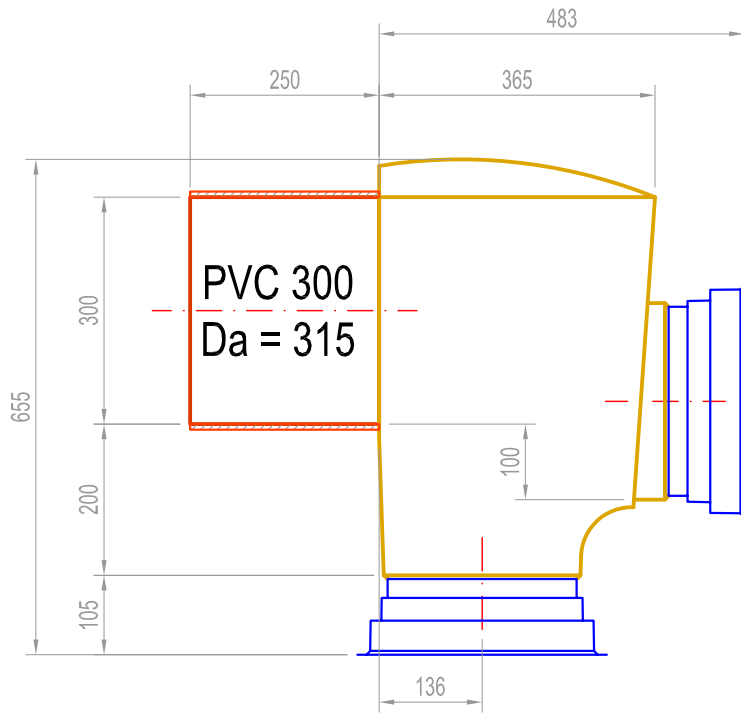


Pipe Head drop
Inlet DN 200
Outlet DN 250

Downloads under
<http://www.predl.eu>

File format:
Acrobat Reader 5.0 or superior

DN 250 / 250



All dimensions of the parts are inside dimensions
Tolerance +/- 10mm

Subject to technical modifications

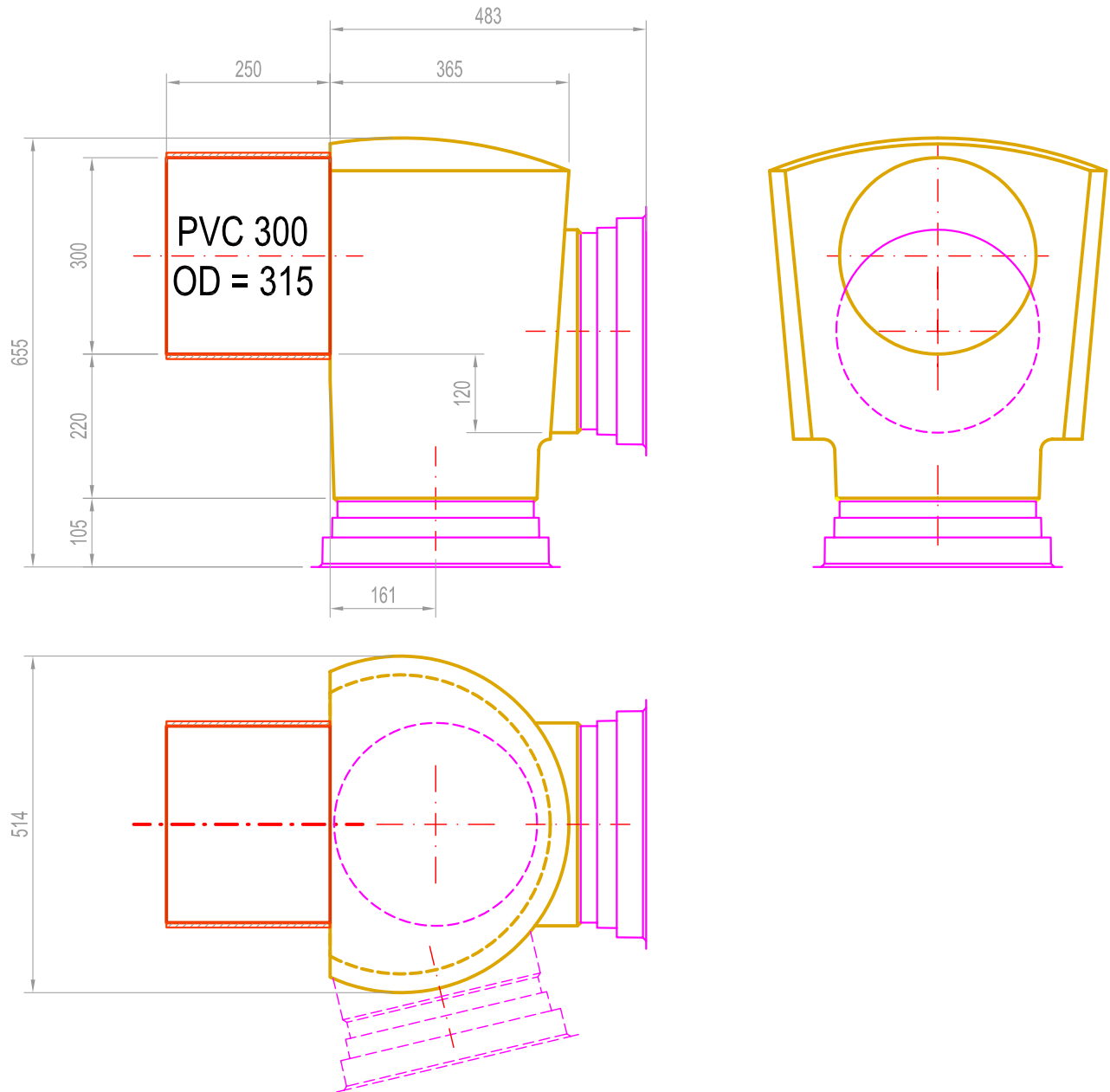


Pipe Head drop
Inlet DN 250
Outlet DN 250

Downloads under
<http://www.predl.eu>

File format:
Acrobat Reader 5.0 or superior

DN 300 / 300



All dimensions of the parts are inside dimensions
Tolerance +/- 10mm

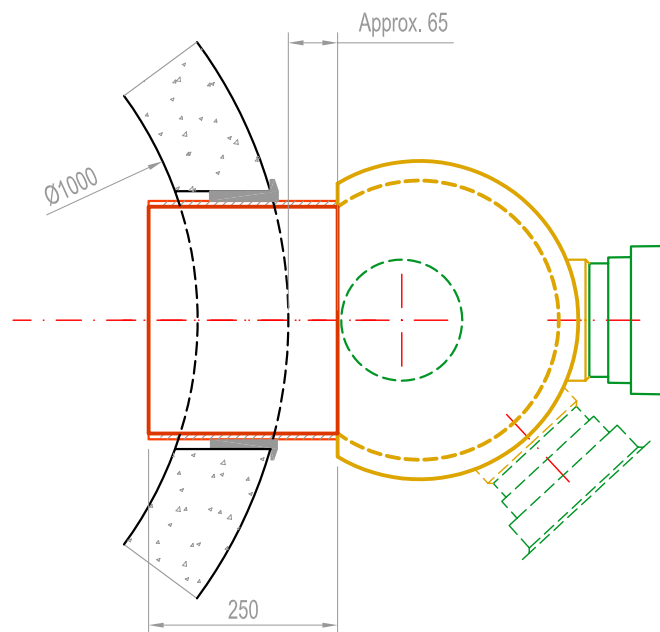
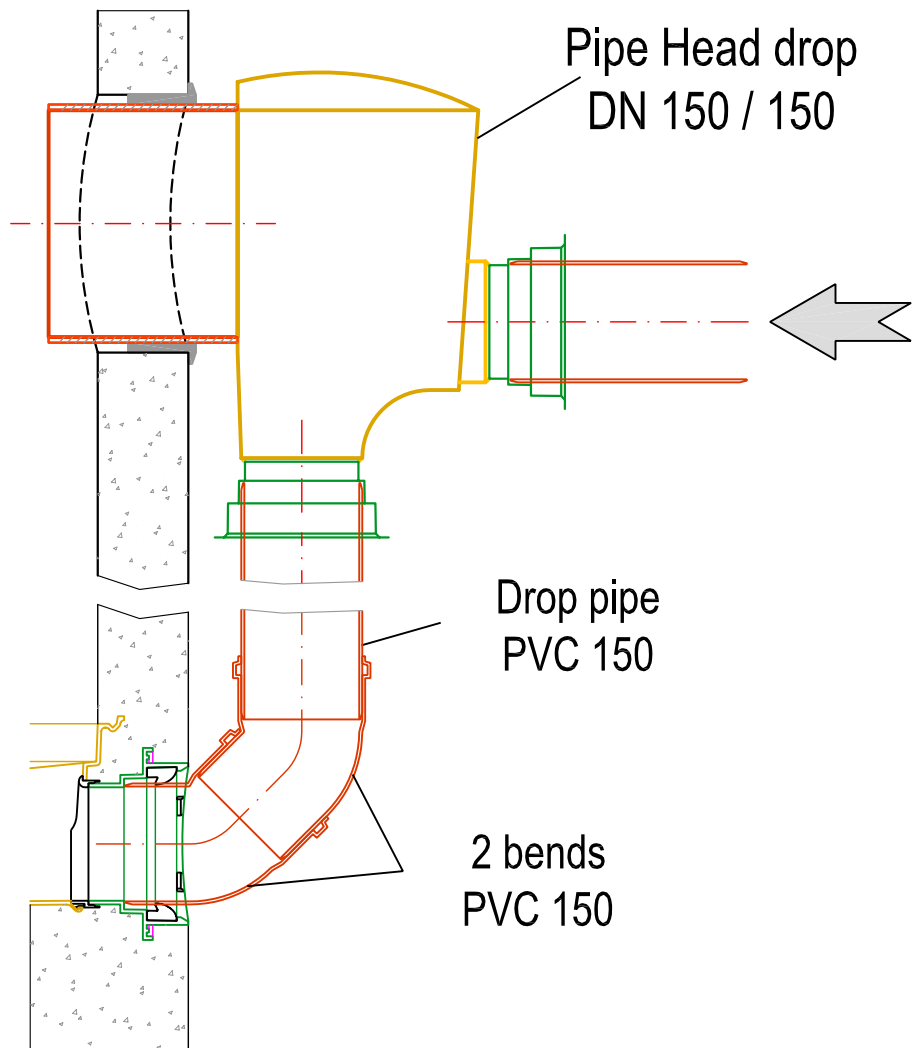
Subject to technical modifications



Pipe Head drop
Inlet DN 300
Outlet DN 300

Downloads under
<http://www.predl.eu>

File format:
Acrobat Reader 5.0 or superior



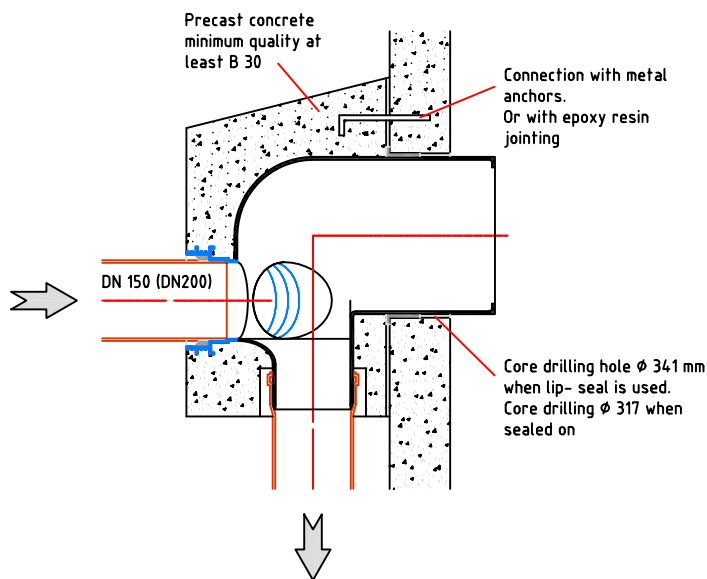
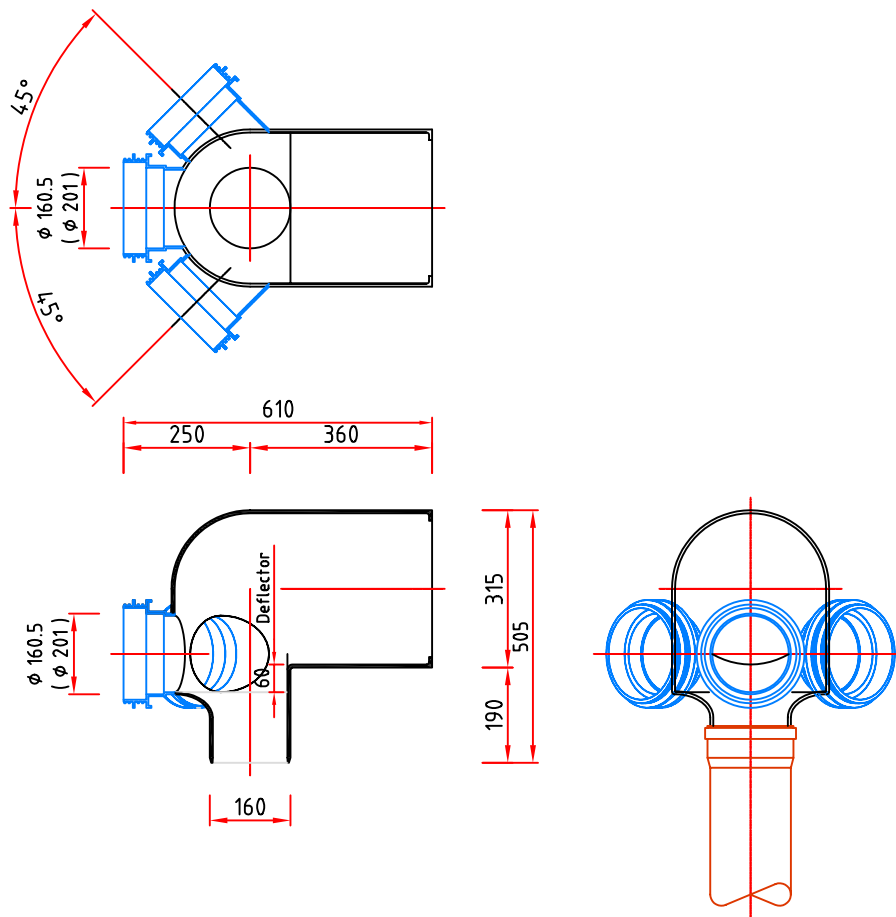
Subject to technical modifications



Pipe Head drop
 Example for a DN 150 / 150
 running in to a base liner
 with 2 bends at 45°

Downloads under
<http://www.predl.eu>

File format:
 Acrobat Reader 5.0 or superior



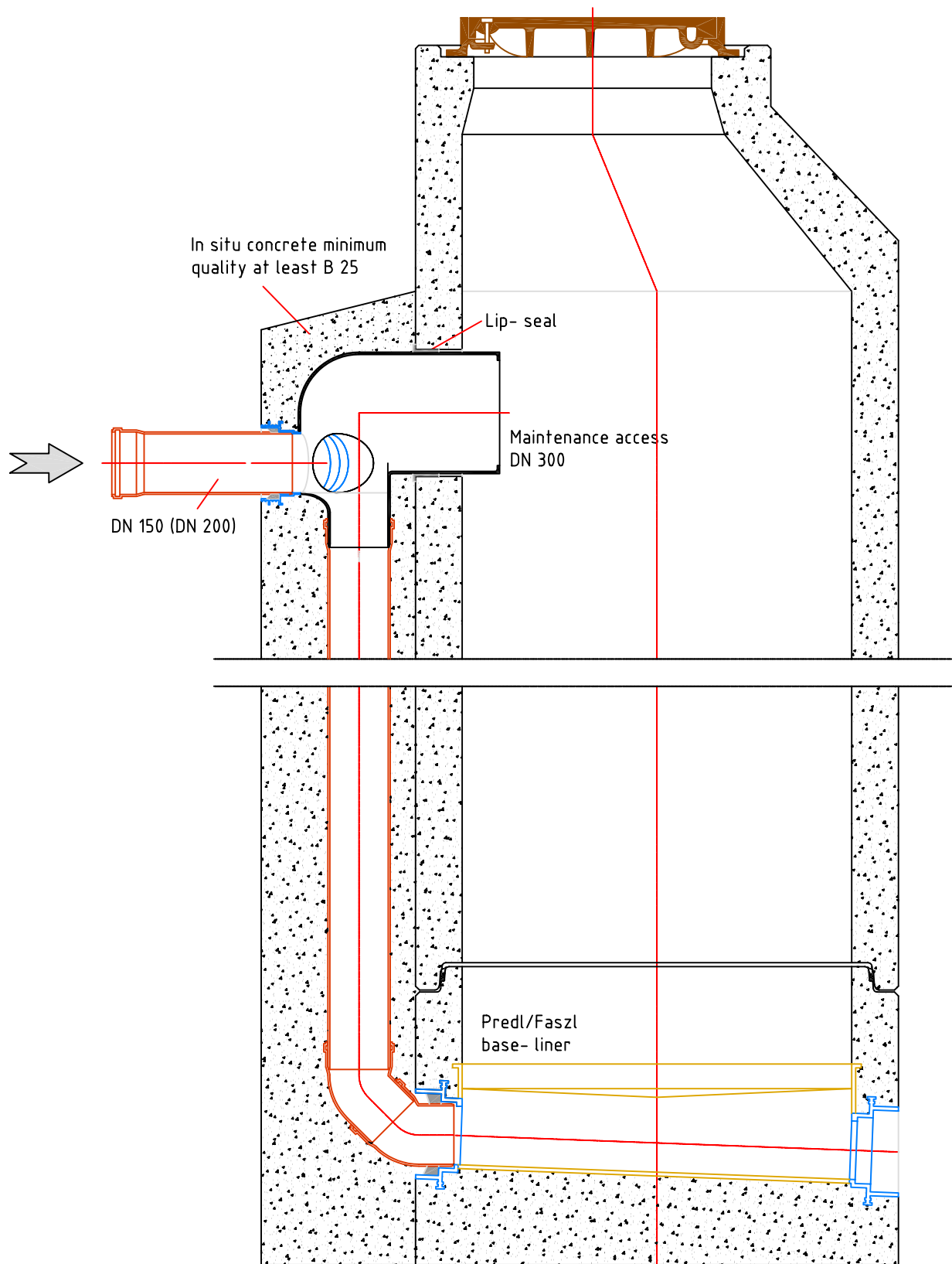
Subject to technical modifications



Pipe Head drop diagram with precast concrete

Downloads under <http://www.predl.eu>

File format: Acrobat Reader 5.0 or superior



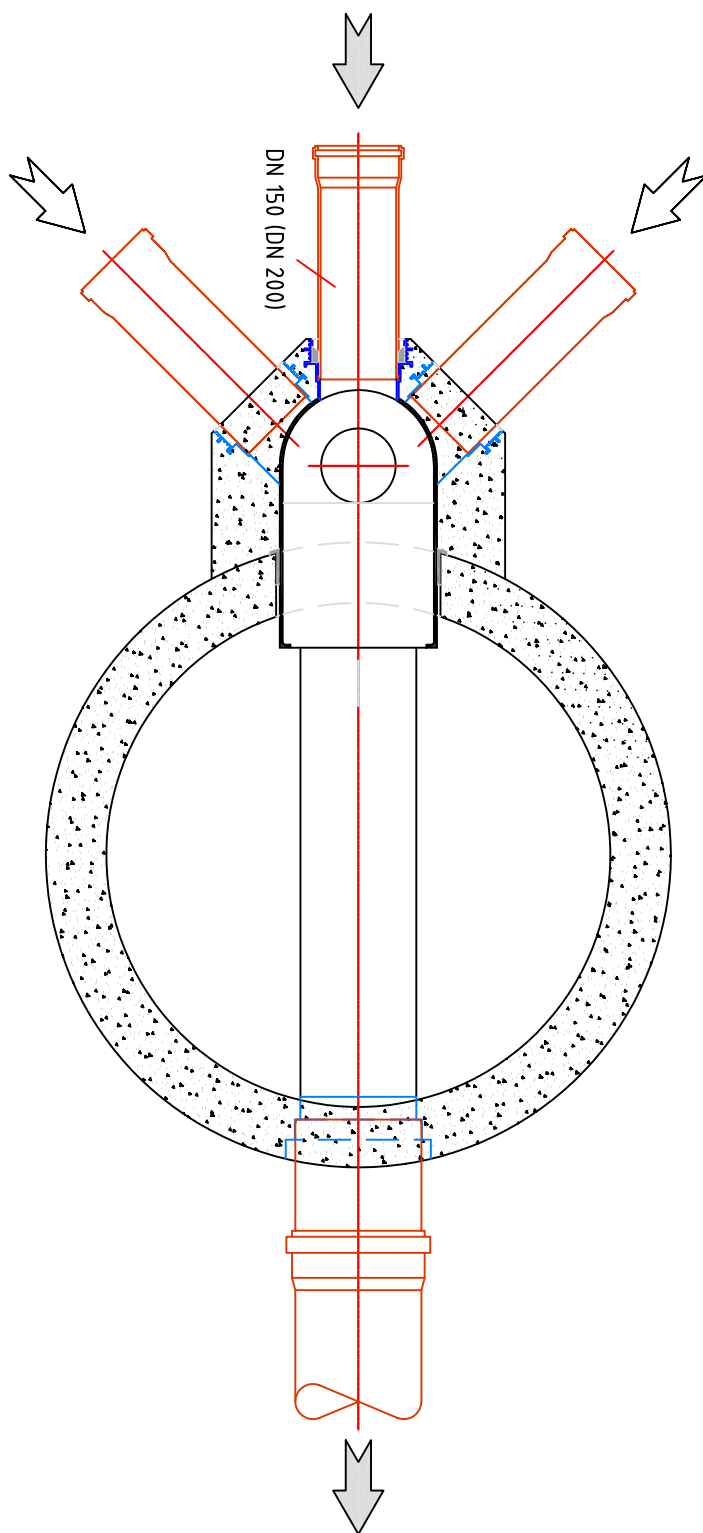
Subject to technical modifications



Pipe Head drop diagram with in situ concrete

Downloads under
<http://www.predl.eu>

File format:
 Acrobat Reader 5.0 or superior



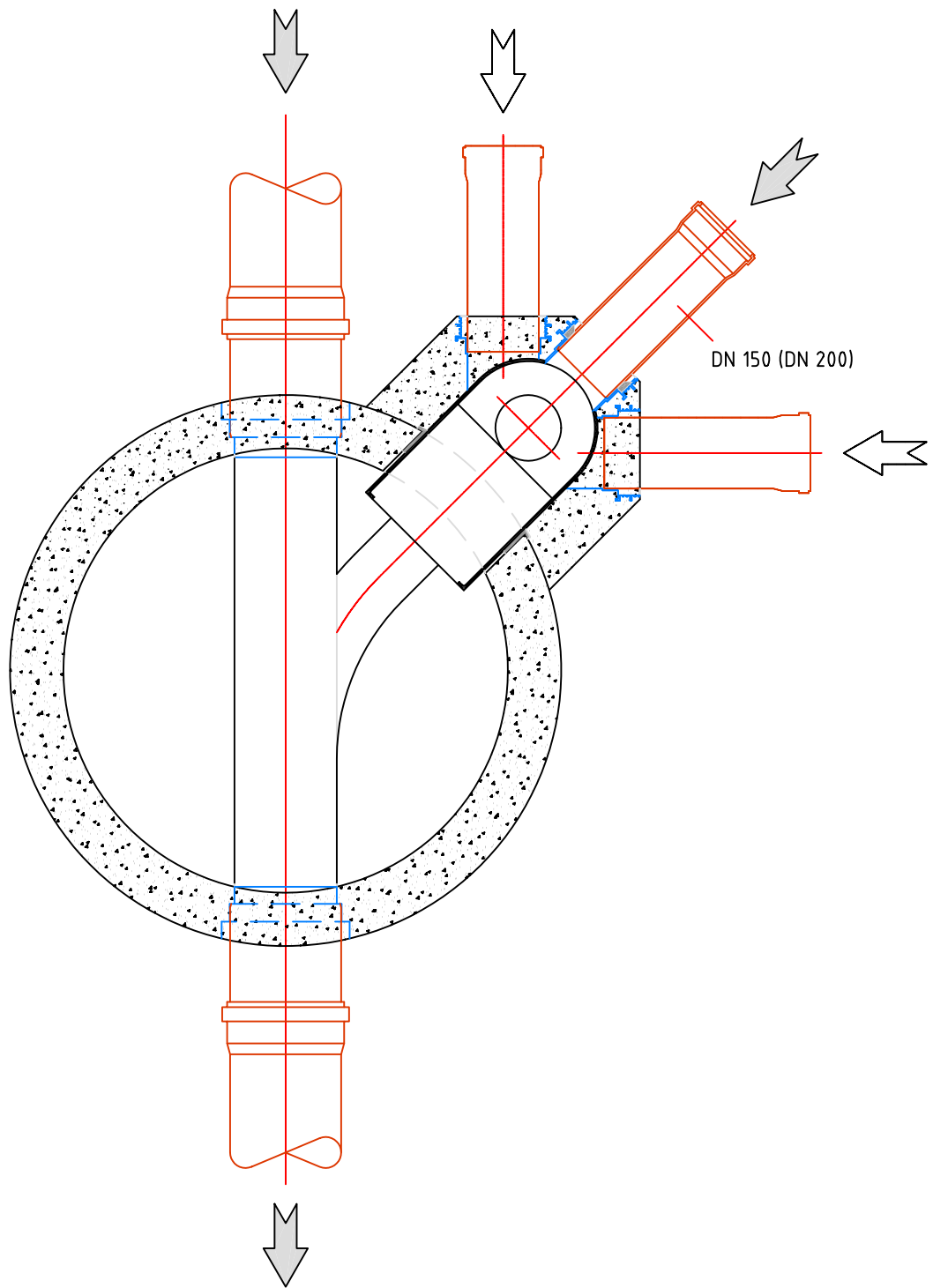
Subject to technical modifications



Drop into main channel

Downloads under
<http://www.predl.eu>

File format:
Acrobat Reader 5.0 or superior



Subject to technical modifications



Pipe Head drop
Drop into a
lateral branch

Downloads under
<http://www.predl.eu>

File format:
Acrobat Reader 5.0 or superior

22.42 Z Inside back drops (IPK 150) as a whole

Inside back drops

Delivery and mounting of a pipe head made out of sewage water resistant plastic for making a back drop which will be placed inside the manhole. The back drop has to be open at the top end for maintenance reasons. Nevertheless precautions need to be taken against the sloshing of incoming sewage water.

Due to a cyclone shaped stream of the sewage water into the back drop, the stream energy is reduced and a calmer stream is achieved. The reduction of the manhole interior diameter should not be superior to 28 cm.

The inlet pipe must have a watertight connection to the manhole with a core drilling plus a Forsheda seal 910 or equivalent. The inside back drop is fitted to the manhole wall (minimum of 3 M8 x 60 stainless steel screws), the joint between the back drop and the manhole wall is sealed off with a sewage water resistant, permanent elastic seal (Sikaflex-11 FC strip seal or equivalent).

The PVC DN 150 drop pipe, is connected to the back drop with a bell. The outlet is connected to a cut 67° bend which flows into the sole of a special type adapted specified plastic manhole base-liner. The back drop pipe has to be fitted to the manhole wall with a clip collar. All fitting material such as screws etc. have to be made out of stainless steel (1.4301). The costs for the core drilling, the seal for connecting the inlet as well as the delivery of the pipe and bends and the complete accessories have to be presented. The mounting instructions of the manufacturer have to be respected.

The allowance depends on the drop height (H) in mm (difference between upper and lower pipe sole).
Producer : IPK 150, Faszl or equivalent

Binding delivery dates

Product brand : (BL)

Type : (BL)

Wall passing seal brand : (BL)

Pos....A inside back drop. H until 1000 ST

Pos....B inside back drop. H 1001 - 2000 ST

Pos....C inside back drop. H 2001 - 3000 ST

Pos....D inside back drop. H 3001 - 4000 ST



IPK 150

Downloads under

<http://www.predl.eu>

Fileformat:
Acrobat Reader 5.0 or superior

22.41 Z Outside mounted pipe head drops , as a whole

Outside mounted pipe head drops made out of sewage water resistant plastic, in one piece with deflector and cleaning access DN 300 (Outside pipe head drop made by Faszl, Murbergstraße 80, 8072 Fernitz, Austria Tel.: 00 43 3135/52657-0 Fax : 00 43 3135/52657-28, e-mail office@predl-austria.eu, or equivalent) with bell DN 150 or DN 200 made to fit a PVC / PE / PP drop pipe (adapters are to be taken in account if other materials are being used) according to the corresponding drop height as well as 2 x 45° bends for connecting to the base liner, to be delivered and mounted.

The connection hole has to be taken in account, on site or factory made, core hole of 317 mm or 341 mm diameter. A connection bell DN 200 or DN 150 has to be included in order to assure a tight fit with the incoming canal pipe. Bells for extra connections have to be taken in account according to Pos. 22.4103 Z.

The cost calculation is made accordingly to the drop height in meter (difference between the higher and the lower invert level) and the type of the mounting, or as precast concrete (vertical drop pipe without concrete surrounding) or built in on site with a minimum of 15 cm concrete surrounding . Are taken in account the material type and the dimensions of the drop pipe.

22.4101 Z Outside pipe head drop as a finished unit with precast concrete minimum B 30. Connected to the manhole ring with metal anchors and lip-seal (core drilling hole Ø 341 mm) or epoxy resin jointing to the manhole ring without lip-seal (core drilling hole Ø 317 mm) with vertical drop pipe without concrete surrounding.

22.4101A Z outside pipe head drop for PVC DN 150 as a whole.

22.4101B Z outside pipe head drop for PVC DN 200 as a whole.

22.4102 Z outside pipe head drop mounted on the building site (core drilling hole Ø 341 mm), fitted to the manhole ring, including the vertical drop pipe, cast in place with a 15 cm thick concrete, at least B25.

22.4102A Z outside pipe head drop for PVC DN 150 as a whole.

22.4102B Z outside pipe head drop for PVC DN 200 as a whole.

22.4103 Z Bells for further pipe connections to the pipe head are to be welded on.

22.4102A Z outside pipe head drop for PVC DN 150 as a whole.

22.4102B Z outside pipe head drop for PVC DN 200 as a whole.



Pipe Head drop

Downloads under

<http://www.predl.eu>

File format:
Acrobat Reader 5.0 or superior

ORDER SHEET

Concrete plant

Contractor

Building site

Date

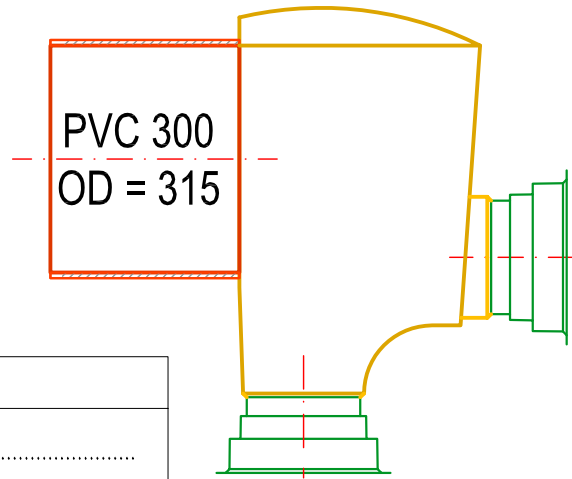
Contact person

Other

Manhole number

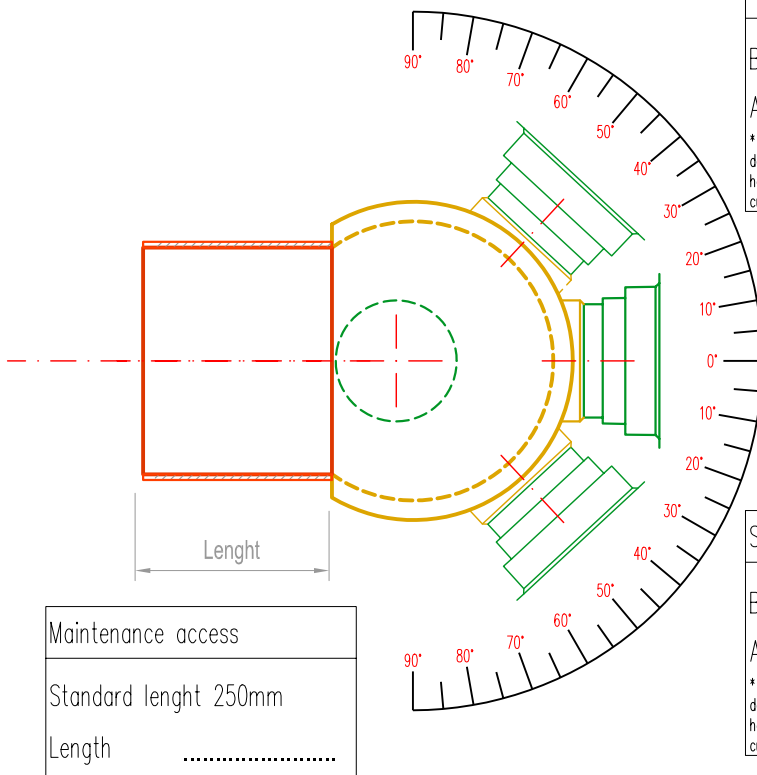
Quantity

Other



Downpipe

Bell



Side inlet right

Bell

Angel *

* The deflection angle possibilities depend on the bell dimensions and might have to be modified in accordance with the customer

Inlet

Bell

When inlet not in line with maintenance access

Angel

Direction

Side inlet left

Bell

Angel *

* The deflection angle possibilities depend on the bell dimensions and might have to be modified in accordance with the customer

Maintenance access

Standard lenght 250mm

Length

Subject to technical modifications



Pipe Head drop

Downloads under
<http://www.predl.eu>

File format:
Acrobat Reader 5.0 or superior