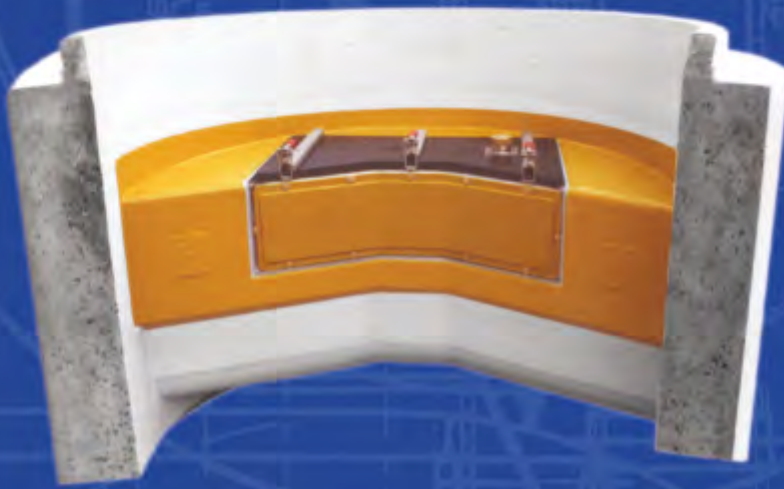
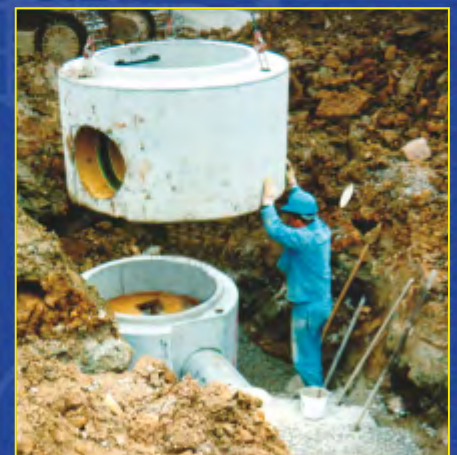


# MULTRO<sup>®</sup>-Manhole ring



**MULTRO<sup>®</sup>-MANHOLE DN 1500**

**MULTRO<sup>®</sup>-MANHOLE RING  
WITH ANGLE ACCESS LID**



General Approval  
**Z-42.1-355**  
German Institute for building technique Berlin



# MULTRO<sup>®</sup>-Manhole ring

The MULTRO<sup>®</sup>-Manhole Ring is adapted when the height difference between the water level of the SW/RW is of minimum 850 mm. (minimum 500 mm with MULTRO<sup>®</sup>HA-Manhole DN 1000)

Standard configuration: Straight through\* (RW/SW). vertical one above the other.

Configuration with angle change: Angles from 5 to 45 ° can be integrated by shaping the precast support. Ingoing as well as outgoing direction changes are possible as long as they are of the same diameter.

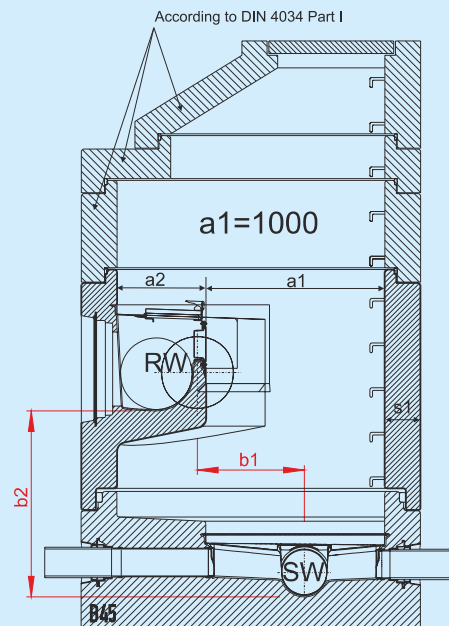
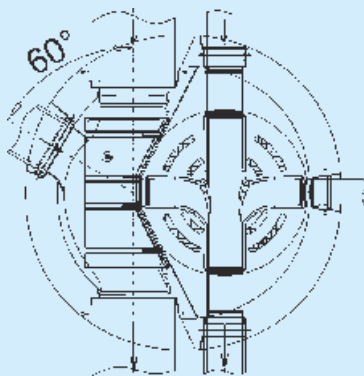
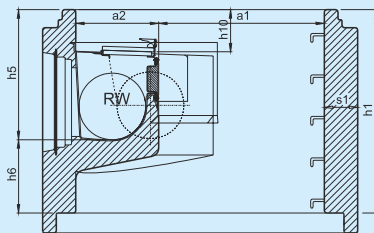
Configuration with incoming branch: Branches can be adapted to the MULTRO<sup>®</sup>-Manhole ring at an angle from 45 to 90 ° left or right.

Configuration against the slope  
In certain height conditions and only when the canal reach is not too long, all MULTRO<sup>®</sup>-Manhole rings can be delivered with the slope going against the flow direction , for both channels (RW and SW).

MULTRO <sup>®</sup> -Manhole Ring DN 1500										
Ø RW	Ø SW	a <sub>1</sub> *	a <sub>2</sub> *	b <sub>1</sub> *	b <sub>2</sub> *	h <sub>1</sub> *	h <sub>5</sub> *	h <sub>6</sub> *	h <sub>10</sub> min*	s <sub>1</sub> min*
250	max. 250**	1000	500	0 - 550	min. 850	1000	700-880	120-300	200	200
300	max. 300**	1000	500	0 - 550		1000	700-880	120-300	200	200
400	max. 300**	1000	500	0 - 550		1000	700-880	120-300	200	200
500	max. 300**	1000	500	0 - 550		1250	900-1050	200-350	200	200
600	max. 300**	1000	500	0 - 550		1250	900-1050	200-350	200	200

\*Ask the concerned manufacturer for his tolerance dimensions  
\*\* SW max until D N1000, than b<sub>2</sub> = SW diameter + 550 mm

## MULTRO<sup>®</sup>-Manhole Ring DN 1500



### Suggestion for the amendment of a prescription text according to EN 1917

MULTRO<sup>®</sup>-Manhole rings as an allowance for precast concrete manhole DN .....with two pipe connections straight through, a one-piece concreted in synthetic base including connection bells integrated in the manhole wall with seal and a watertight inspection access (standard lid with stainless steel frame 250x150 mm), height position for RW variable ; pipe diameter,

RW inlet : DN.....  
RW outlet : DN.....  
Pipe material :.....  
Carried out according drawing n°.....  
Extra for angle access trap (800 x 350 x 220 mm)