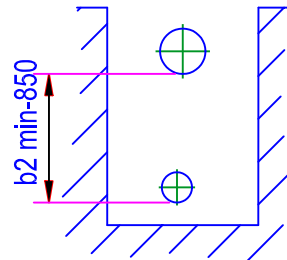
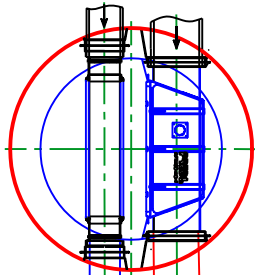


pipe trench

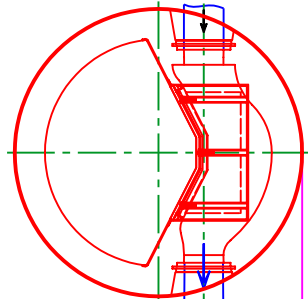


pipe trench

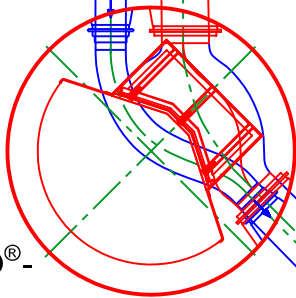
INFRA[®]-
manhole
DN 1200



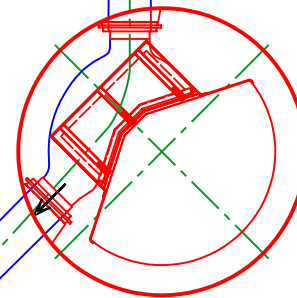
MULTRO[®]
manhole
DN 1500



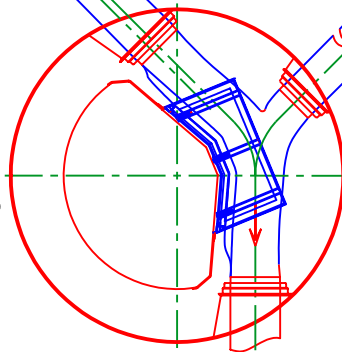
MULTRO[®]-
transition
manhole
DN 1500



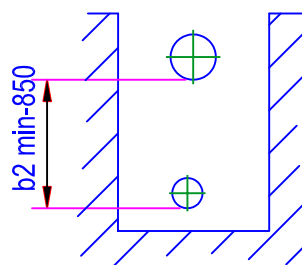
MULTRO[®]
manhole
DN 1500



MULTRO[®]
manhole
DN 1500



510



pipe trench

changes possible

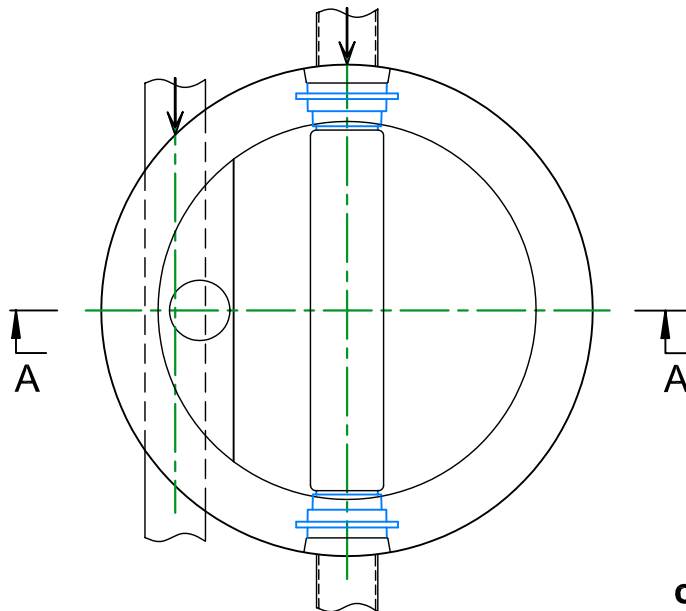
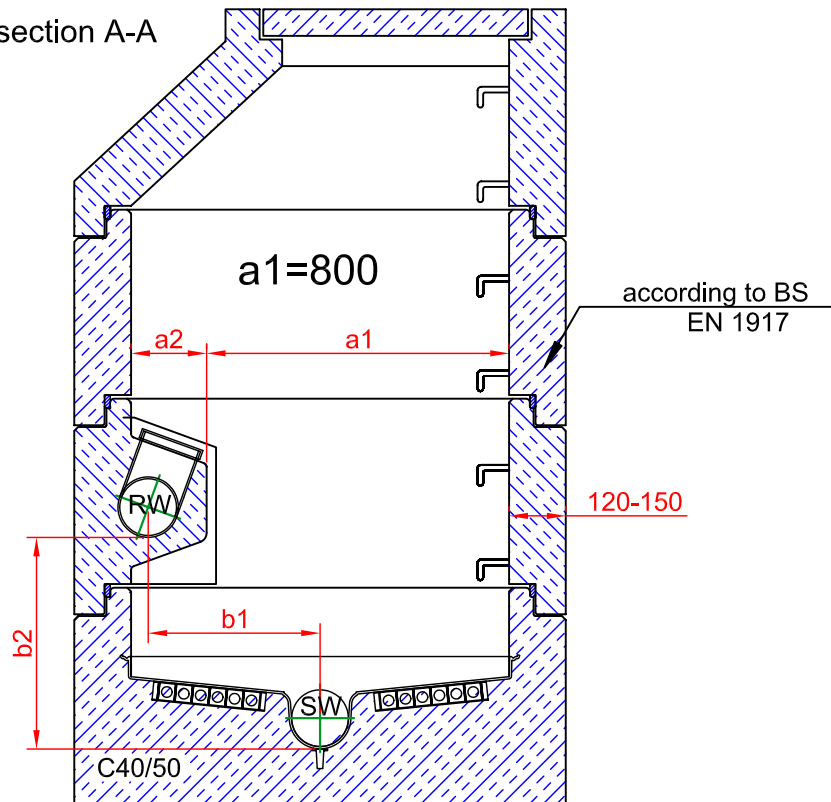


INFRA[®]/MULTRO[®]
diagram

Downloads
<http://www.predl.eu>

file format
Acrobat Reader 5.0

cross section A-A



certification Z-42.1-355

changes possible

PREDL

house connecting manhole
system MULTRO[®] DN 1000

RW/SW DN 150

$b_1 = 400 \text{ mm} / b_2 = \text{min } 500 \text{ mm}$

- diagram -

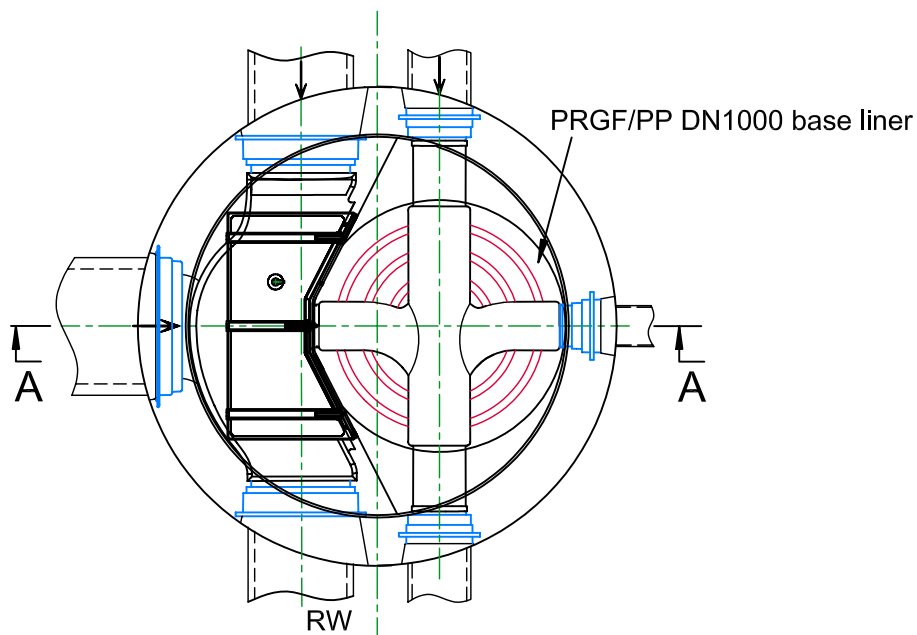
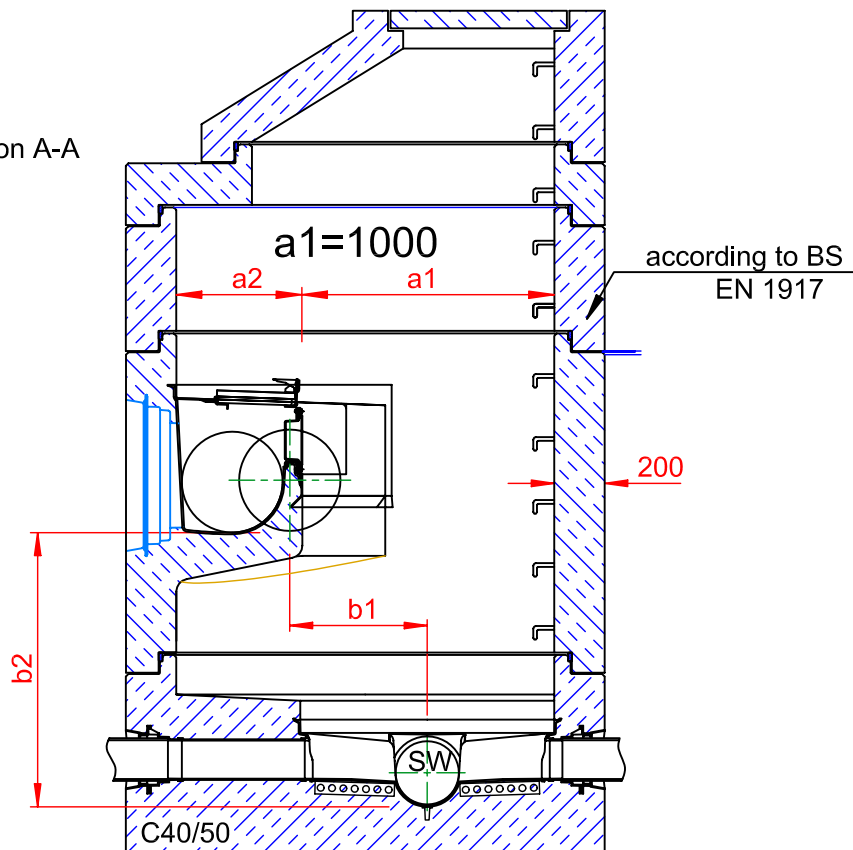
scale 1:20

Downloads

<http://www.predl.eu>

file format
Acrobat Reader 5.0

cross section A-A



certification Z-42.1-355

changes possible



system MULTRO[®] DN 1500

RW/SW DN 150 - DN 400

$b_1 = 0 - 550$ mm / $b_2 = \text{min } 850$ mm

- diagram -

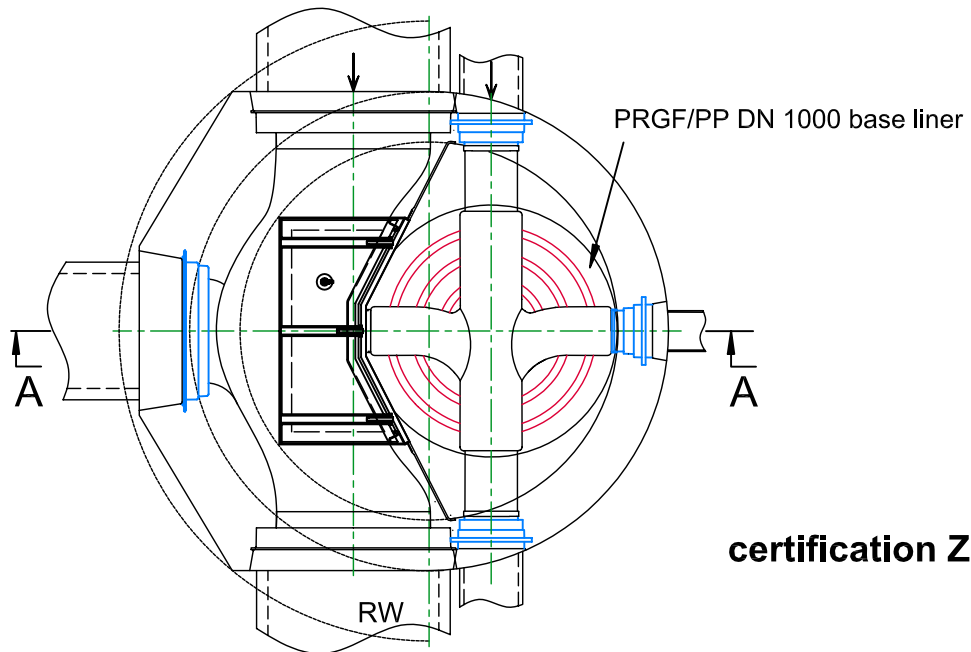
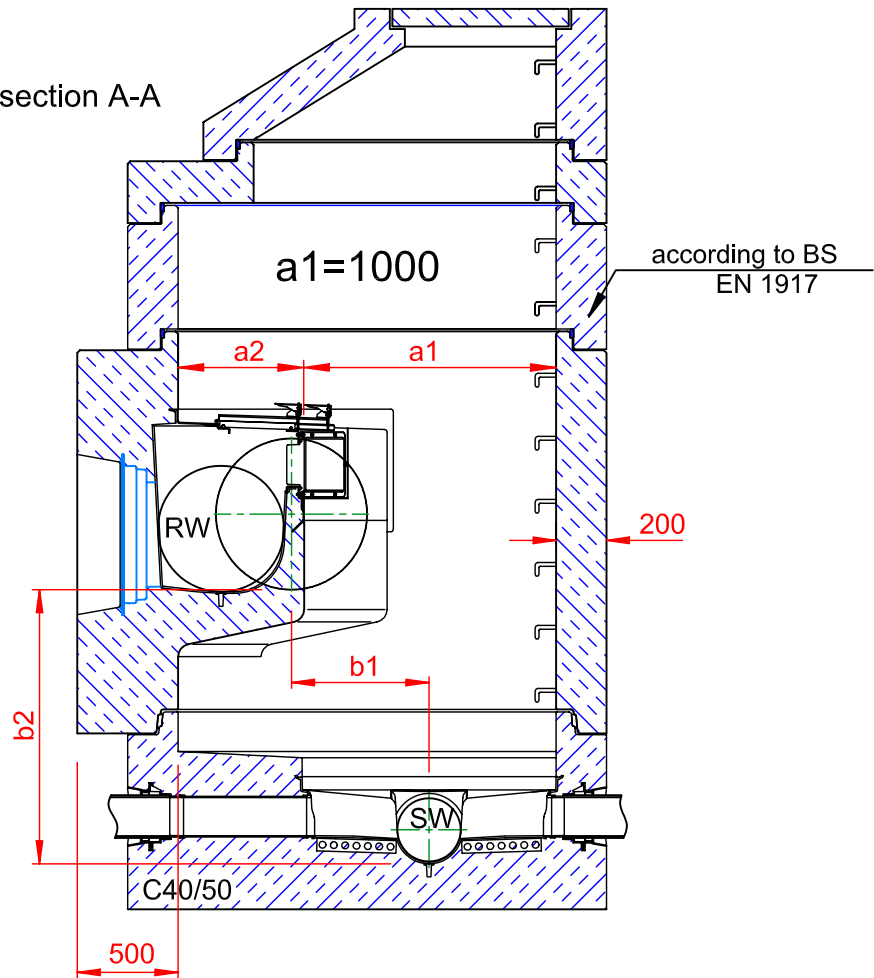
scale 1:30

Downloads

<http://www.predl.eu>

file format
Acrobat Reader 5.0

cross section A-A



certification Z-42.1-355

changes possible



system MULTRO[®] DN 1500

RW/SW DN 500 - DN 600

b1 = 0 - 550 mm / b2 = min 850 mm

- diagram -

scale 1:30

Downloads

<http://www.predl.eu>

file format
Acrobat Reader 5.0