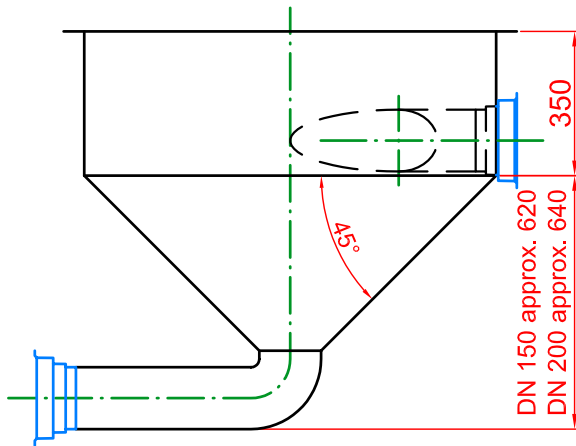


Order sheet

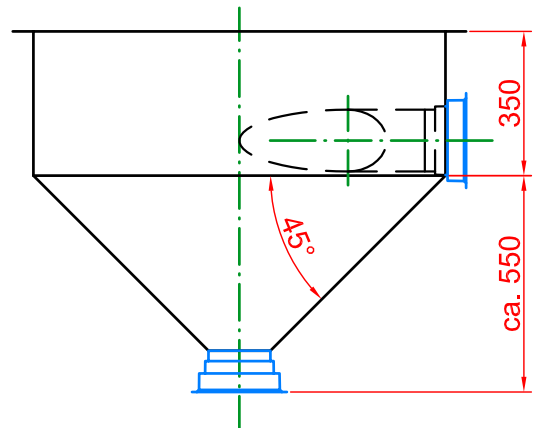
concrete plant
building company
building site.....

date
base liner manufacturer
others	

cost option with outlet elbow

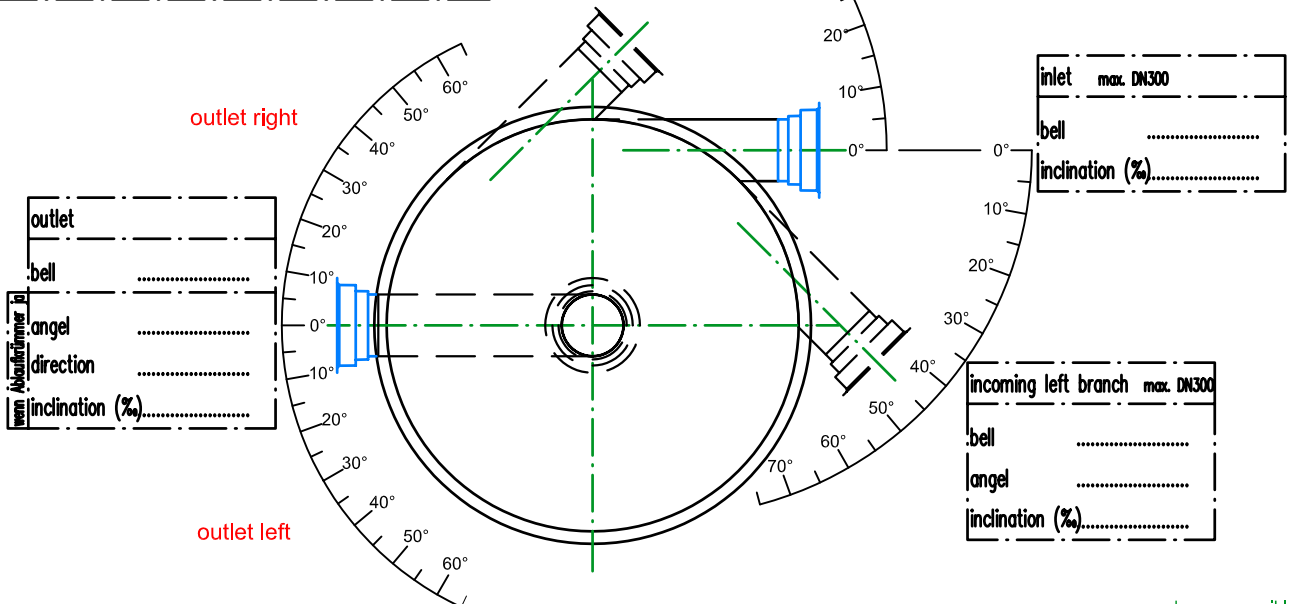


standard option with bell on the outlet



base liner number
with outlet elbow?	yes <input type="checkbox"/> no <input type="checkbox"/>
quantity

incoming right branch max. DN300	
bell
angel
inclination (%)



changes possible



energy reducing base liner

DN 1000
anticlockwise
tangential inlet

Downloads

<http://www.predl.eu>

file format:
Acrobat Reader 5.0 oder höher

Order sheet

concrete plant

building company

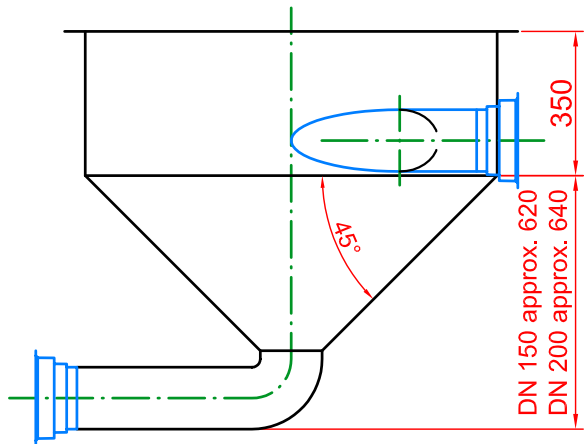
building site.....

date

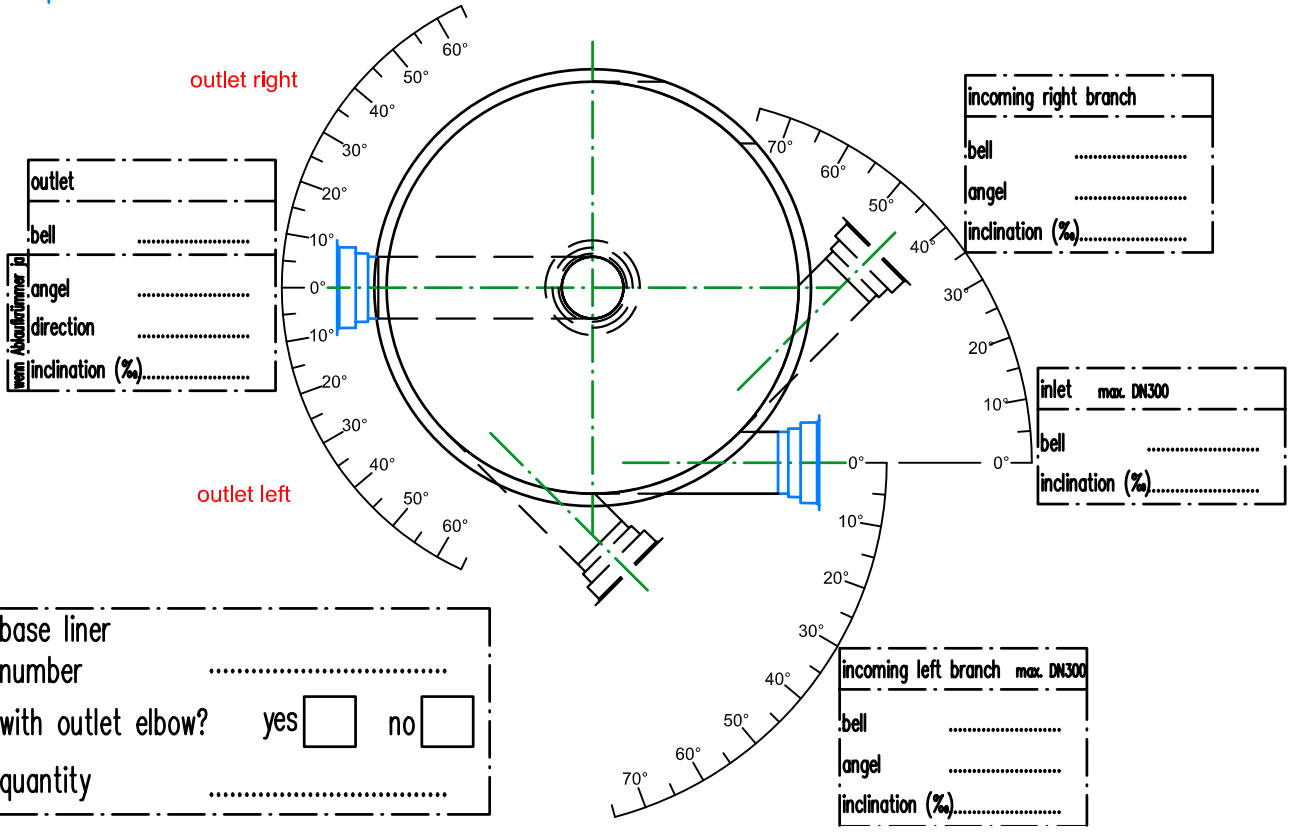
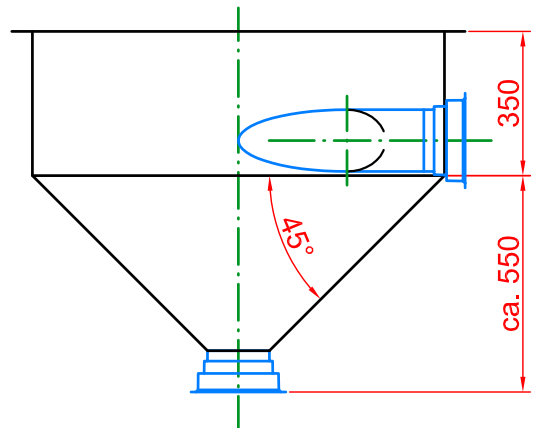
base liner manufacturer

others

cost option with outlet elbow



standard option with bell on the outlet



base liner number

with outlet elbow? yes no

quantity

changes possible



energy reducing base liner

DN 1000

clockwise

tangential inlet

Downloads

<http://www.predl.eu>

file format:
Acrobat Reader 5.0 oder höher