

Drop structures

Pipe Head – Outside drop structure
 IPK – Inside drop structure
 Inside drop for manholes and pumping stations

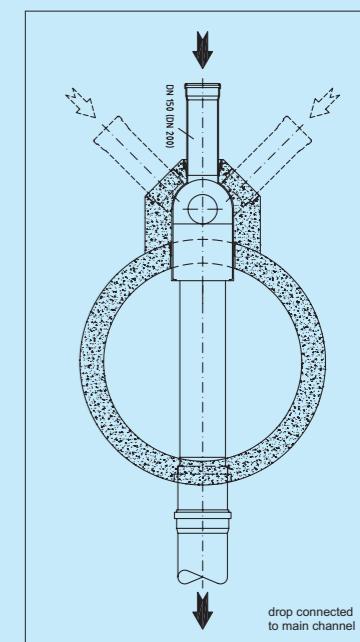
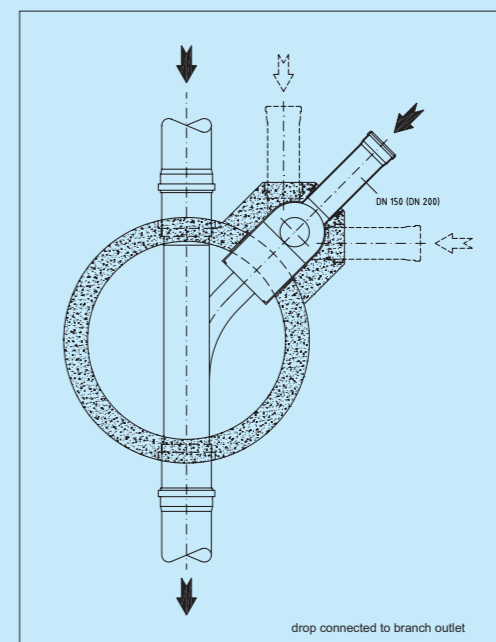
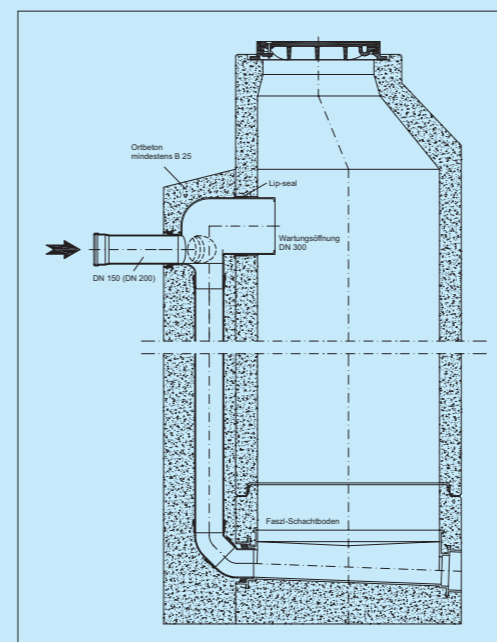
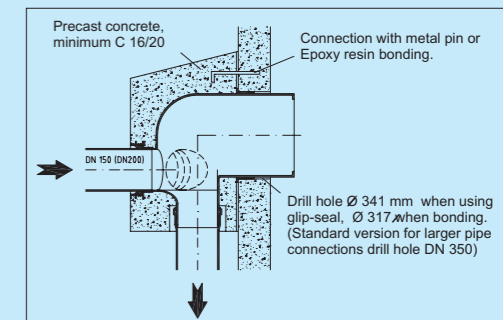
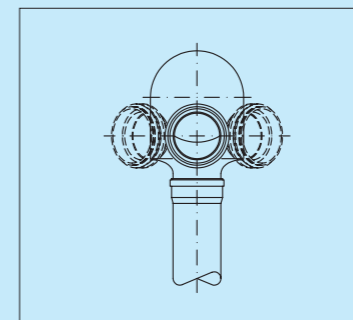
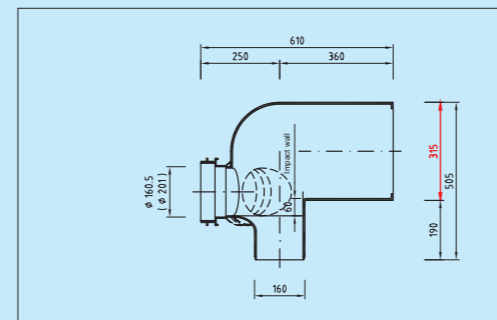
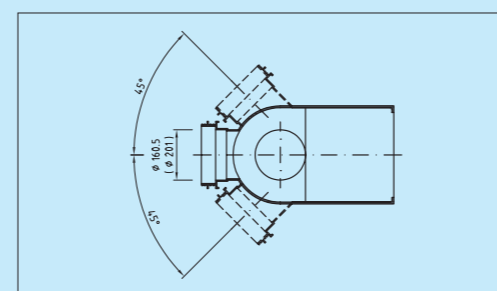


The Pipe Head distinguishes it self from the other traditional drop structures through special advantages.

Its unique structure design makes it possible to connect pipes retrospectively. The stream favorable shape and the connection possibilities against the flow direction of the main channel are further advantages.

The maintenance access makes the cleaning easy.

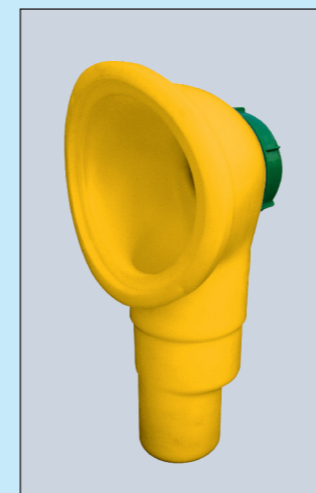
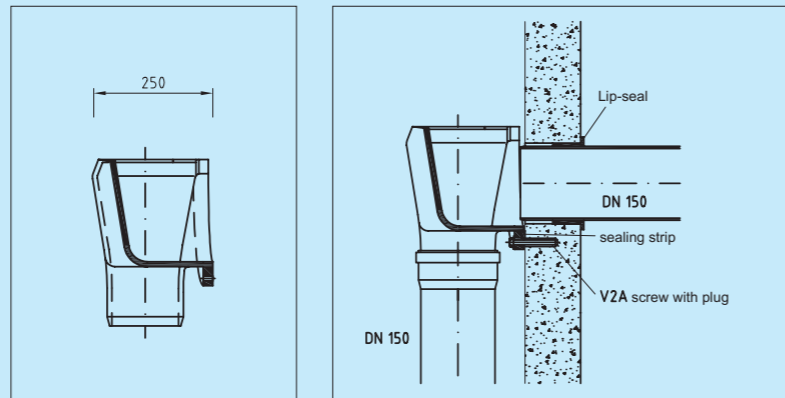
Included in delivery : Pipe head Structures with seals corresponding to the pipes to be connected.



Stand 03/2006



The big advantage which is given with the IPK, is that it can be fitted easily in an existing manhole. It's special construction produces a cyclone type stream of the sewage waters. Therefore the flow energy is reduced.
The maintenance access on the top of the IPK makes the cleaning very easy.
IPK structure including fastening equipment (3 screws / 3 plugs)



The Inside Drop can be fitted in new - as well as in existing-manholes. It is mounted with V2A screws and a seal on the inside wall of a manhole ring and takes pipe connections up to DN 250 (Inside Drop DN 200) and respectively 300 mm (Inside Drop DN 250).
Maintenance can be made through the screw cap for the Inside Drop DN 200 and through the opening on the top of the Inside Drop DN 250 :

Included in delivery: inside Drop Structures with seal and fastening equipment (4 screws / 4 plugs / seal)

